

35 Custom Builder

Direct Vent Gas Fireplace



Shown with optional Satin Gold Face

Customize a beautiful gas fireplace to your taste, without too much heat!

Enjoy big flames without overwhelming heat!

Modest cost - big looks

The 35 Custom Builder ships complete with a standard arched metallic black face. A Satin Gold face upgrade is available.

The 35 Custom Builder will accept ALL the beautiful face options of the high heat output Model 36 DV-XL collections



The Model 35 Custom Builder has 5 beautiful face collections to choose from.



35 Custom Builder™ Collection

One design in two finishes:

- Standard Black Painted
- Optional 24 Karat Brushed Gold



Classic Arch™ Collection

One design in three finishes:

- 24 Karat Gold
- Black Painted
- Brushed Nickel



Metropolitan™ Collection

One design in two finishes:

- 24 Karat Gold
- Black Painted



Artisan™ Collection

Hand-forged Face with Wrought Iron Detail.

One design in three finishes:

- Charcoal Painted
- Antique Hand-Rubbed Nickel
- Antique Hand-Rubbed Copper



Architectural™ Collection

Four different designs in different finishes:

- Arts & Crafts™ Antique Copper
- French Country™ Antique Gold
- Neo-Classic™ Brushed Nickel
- Art Deco™ Brushed Nickel

Model 35 Custom Builder (CB)

24,000 BTU Direct Vent Zero Clearance Fireplace

Heater Rated

The unique look of Fireplace Xtordinaire is now incorporated into a low heat output gas fireplace.

Lower Heat Output

Allows for low cost installation, direct contact to drywall, and reduced clearances to combustible mantle.

Realistic Fire

The flickering flames, hand-carved four piece log set and embers combine to create a realistic wood-like fire.

Variable Heat Output

A finely detailed grill transfers heat efficiently into your home. Whisper quiet, 130 CFM thermostatically controlled convection fan is an optional feature.

Large Ceramic Glass Fireview Area

17" tall x 30" wide ceramic glass (not tempered) is standard.

Heating Specifications

Heating Capacity*	400 to 1,350 Sq. Ft.
BTU Input (NG)*	24,000 (high) 14,350 (low)
(LP)*	24,000 (high) 13,700 (low)
Overall Efficiency* (maximum vent configuration)	78.5% (NG) 80.1% (LP)
Overall Efficiency* (minimum vent configuration)	76.7% (NG) 78.6% (LP)

*Gas appliance performance can be affected by negative pressure in a home and by prevailing atmospheric conditions. Contact local building or fire officials about restrictions and installation requirements in your area. Heating capacity may vary depending on the degree of home insulation, floor plan and the ambient temperature zone of the area in which you live.

High Tech Direct Vent Combustion System

The combination of the multi-port, aluminized pan burner, SIT gas valve and direct vent system ensures great performance, ease of operation and durable long life in a gas fireplace. We back it all with our industry leading Seven Year Limited Warranty.

Safety In Mind

A thermocouple safety switch shuts off gas in 30 seconds if the pilot goes out.

Heating Security

A millivolt system ensures continued use of your fireplace even if the power goes out.

Multiple Venting Approvals

Install the 35 CB in any room in straight or corner placement, flush or recessed face and raised or floor hearth.

Install in: • Kitchens • Bathrooms • Bedrooms • Mobile Homes

Modulating Remote Control Option

Allows you to control the flame height and blower speed from your remote control (Optional blower required) and utilize as a thermostat.

Custom Options

- Satin gold builder face
- ALL 36 DV-XL faces (requires face upgrade kit)
- Standard remote control
- Modulating remote control
- Wall thermostat
- 130 CFM blower

Clearances to Combustibles

See Owner's Manual for non-combustible clearances.

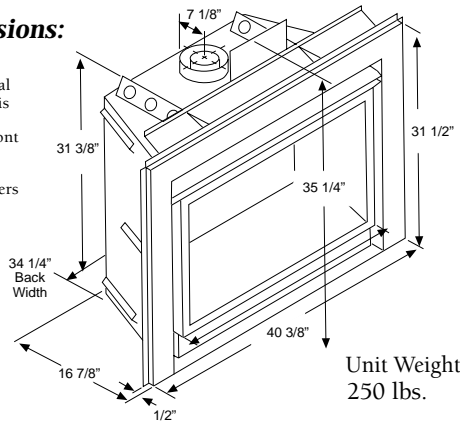
Floor to Mantle*	42"
Edge of Glass Frame to Sidewall	8 1/2"
Edge of Glass Frame to Side Facing	4 3/8"
Hearth Extension Front & Sides	None Required

*12" Maximum Mantle Depth

Unit Dimensions:

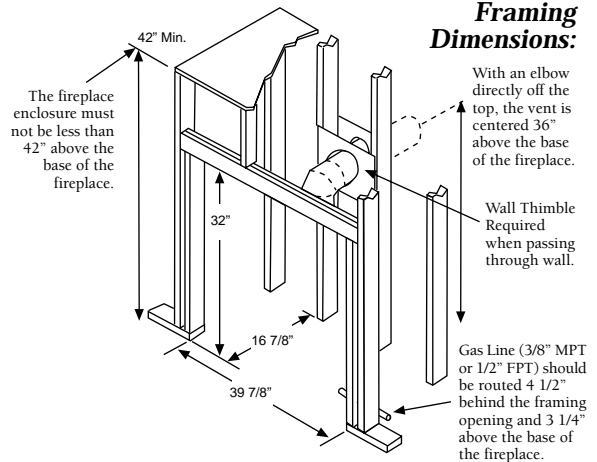
The electrical connection is made in the lower left front corner.

Gas line enters from lower right front corner.



NOTE: Improper installation of your gas appliance or failure to operate it in accordance to the guidelines detailed in the Owner's Manual may negate your warranty and endanger your home and family.

Framing Dimensions:



Tested and listed by OMNI-Test Laboratories, Inc. to the combustion performance and construction requirements of ANSI Z21.88/CSA 2.33-1988 & CAN/CGA 2.17-M-91 and relevant portions of UL 307-B. Must be installed in accordance with all local codes if any, if not, follow ANSI Z223.1-1992 and NFPA 54(88) and the requirements listed in the Owner's Manual.

The dimensions and clearances on this page are for reference only! Refer to the Owner's Manual for operation and exact specifications prior to installation.



COPYRIGHT 2000 T. I.
Kirkland, WA
www.fireplacextrordinaire.com