

864TRV & HH™ GAS FIREPLACES

 FIREPLACE
XTRORDINAIR™
Imagine a Fireplace for Every Room



864 HH FIREPLACE SHOWN WITH BRUSHED NICKEL FACE AND DIAMOND MOSAIC TILE FIREBACK

Fireplace Xtrordinair has created two amazing fireplaces that use different heating technology but offer the same gorgeous designer faces and incredible options. Simply choose the heating system that's best for your home and climate, and then choose the face and options to complement your taste.

1 864 TRV and 864 HH Two Xtrordinary Fireplaces

Choose Your Heating System

Review your heating needs based on the size of your home and your winter climate. Don't forget to think about fire enjoyment - how often would you like to enhance your evenings with a beautiful fire?

864 TRV (Top/Rear Vent)

The 864 TRV top or rear vent is perfect for warmer climates, smaller spaces, or a beautiful, decorative fire all year long. It features a wide BTU turn down range for more heat flexibility and flame viewing options. A wide range of face styles and options are available to create an xtrordinary fire.

864 HH (Home Heater)

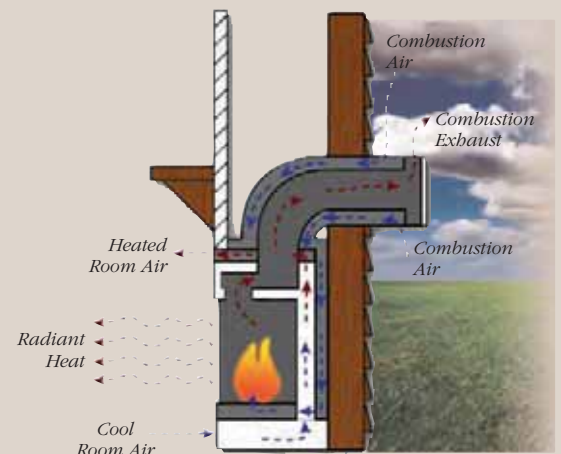
The 864 HH Home Heater offers more heat for colder climates and heats larger spaces - up to 2,250 sq. ft. Heat can be distributed to two additional heat zones for faster heat distribution to those rooms. It includes the award-winning Ember-Fyre burner and gives you a gentle consistent heat. The same great options available for the TRV are yours for the HH.

WHICH 864 FIREPLACE IS PERFECT FOR YOU?

864 TRV (Medium Heating Needs)	864 HH (High Heating Needs)
BTU Range from 6,700 - 31,000 BTUS/Hr (NG) BTU Range from 5,200 - 31,000 BTUS (LP)	BTU Range from 23,000 - 40,000 BTUs (NG) 23,000 - 39,000 BTUs (LP)
Heating Capacity - 1,400 square feet	Heating Capacity - 2,250 square feet
Tempered glass with screen	5mm silica coated ceramic glass
Optional thermostatically controlled variable speed 180 CFM convection fan.	Standard thermostatically controlled variable speed 180 CFM convection fan.
Three optional firebacks	Fireback Required (3 styles to choose from)
4 piece ceramic log set	9 Piece heavy duty ceramic log set from real cast logs
2 stage valve with pan burner with independent controls	New Ember-Fyre burner with High Definition detailed embers and ash bed
Optional power heat duct to one extra room	Optional power heat duct to two extra rooms

Why Choose A Direct Vent System?

The American Lung Association discourages the use of ventless fireplaces for health and environmental reasons. They recommend homeowners choose only sealed, direct vent gas fireplaces to preserve indoor and outdoor air quality and to prevent by-products such as soot, carbon monoxide and nitrogen dioxide from entering your home. Sealed gas fireplaces also prevent excess moisture from building up in your house. All Fireplace Xtrordinair's direct vent gas fireplaces are sealed and meet the guidelines of the American Lung Association's Health House program.



864TRV & HH™ GAS FIREPLACES

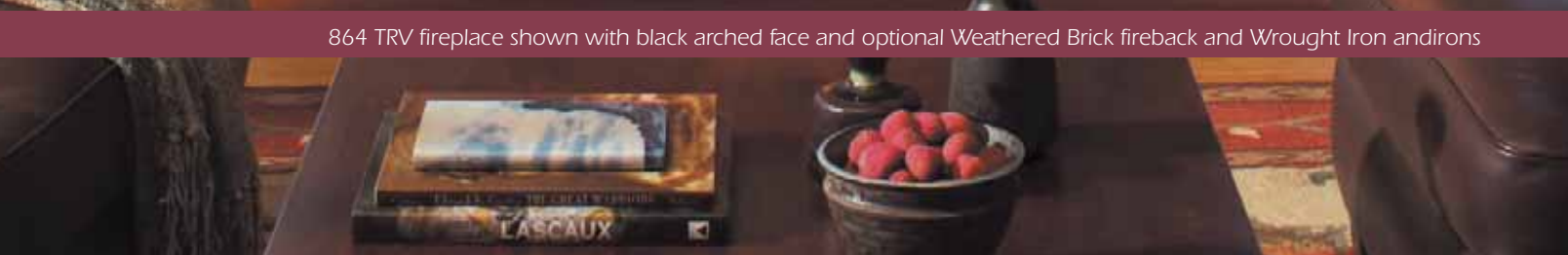


FIREPLACE
XTORDINAIRE™

Imagine a Fireplace for Every Room



864 TRV fireplace shown with black arched face and optional Weathered Brick fireback and Wrought Iron andirons



864TRV & HH™
3 GAS FIREPLACES

**FIREPLACE
XTORDINAIR™**
Imagine a Fireplace for Every Room



864 TRV fireplace shown with French Country arched face with Weathered Brick fireback and Wrought Iron andirons

864TRV & HH™ GAS FIREPLACES



FIREPLACE
XTORDINAIR™

Imagine a Fireplace for Every Room **4**



864 HH fireplace shown with Artisan face and Weathered Brick fireback

864TRV & HH™

5 GAS FIREPLACES

 FIREPLACE
XTORDINAIR™
Imagine a Fireplace for Every Room



864 HH Fireplace shown with French Country arch face and Weathered Brick fireback

864TRV & HH™ GAS FIREPLACES



864 with Black Painted Basic Grills
(Arch accent is removable if desired)

864 Face Options

Your 864 gas fireplace can be accessorized to meet any decor or room design. Choose from nine different face designs in a wide variety of colors and finishes.



Artisan™ Hand-Hammered Arch,
Charcoal Painted



Classic Arch, Black Painted



French Country™ Arch,
Black Painted



Artisan™ Hand-Hammered Arch,
Antique Nickel Plated



Classic Arch, Brushed
Nickel Plated



French Country™ Arch,
Antique Gold Plated



Artisan™ Hand-Hammered Arch,
Antique Copper Plated



Extra Room Power Heat Duct Kit

Add heat to additional rooms in your home with the optional Extra Room Power Heat Duct Kit! This venting configuration delivers heat to additional heat zones so you heat more of your home more quickly. Direct heated air to any room upstairs, downstairs or anywhere in your home within 20 feet. You have the option of one Power Heat Duct Kit on the 864TRV or two on the 864 HH.

864TRV & HH™

7 GAS FIREPLACES

**FIREPLACE
XTRODINAIR™**
Imagine a Fireplace for Every Room



864 HH fireplace shown with black Classic Arch face and Stucco and Stone fireback

Heating Versatility & Efficiency

The 864TRV is ideal for year-round fire enjoyment since it's versatile enough to be a highly efficient heater or a low-heat decorative display of flames. You can add an optional high-volume, low-noise convection fan to increase the heat output even more for the coldest days of the year. By adding the optional Extra Room Power Heat Duct Kit, you can send heat to an additional heat zone in your home!

Reliability

Our standing pilot system generates enough electricity to ensure the 864TRV will operate even if the power goes out. Rest assured you will be able to heat your home even in the worst of storms.

Value

The 864TRV is an outstanding value. No other fireplace provides the quality construction, high-end performance and huge selection of decorative faces and accents for the same money. The 864TRV stands alone.

Realistic Fire Design

We've perfected the art of making gas fire look as much like a real wood fire as possible. From the performance and color of the flames to the logs hand carved with intricate detail, you'll be amazed at the beauty and realism of the 864TRV fire. The 864TRV comes standard with a removable mesh safety screen. The screen protects against burns if the glass is touched and prevents glare on the glass for better fire view.



Figure 1.



Figure 2.



Figure 3.

Ultimate Flame Regulation

You can have virtually unlimited flame variation with our Comfort Control™ valve and the Flame Height Adjuster Knob. Use all 31,000 BTU's of flame on the coldest winter nights or with the touch of a button turn it down to only 6,700 (NG) or 5,200 (LP) for a romantic firelight on a warmer night. (1.) Enjoy a full flame fire with maximum height. (2.) Use the Flame Height Adjuster Knob to turn the flames lower when you want less heat. (3.) Use the Comfort Control valve to turn off the rear burner completely for a darker, more romantic fire and less heat.

864TRV Features:

- 31,000-16,000 Btu's with variable pressure regulator and manual shut off valve for the rear burner allowing a turn down rate to 6,700 Btu's/Hr (NG), 5,200 Btu's (LP)
- Steady State Efficiency: 77.2% (NG) - 78.4 (LP)
- Heating Capacity: Up to 1,400 sq. ft. with optional fan
- Standing Pilot AFUE: 68.3% (NG) - 69.4% (LP)
- 8" top or rear vent options. Top vent approved for reduction to 6 5/8" venting
- No hearth required
- Wall switch standard

9 864HH™ GAS FIREPLACE

**FIREPLACE
XTORDINAIR™**
Imagine a Fireplace for Every Room

Heating Efficiency

You get higher efficiency and higher BTUs in the same size firebox with the Hearthview Home Heater. The Home Heater is designed to give you a gentle, consistent heat circulating throughout your home without overheating the room where the fireplace is installed. This allows you to enjoy the fire for as long as you like, not just when it is cold. Two power heat ducts can be added to direct heat to two additional heat zones. You still get the huge view of the fire, but more heat for larger rooms and living spaces.



Illustration shows natural convection and Power Heat Duct Kits

Installation Flexibility

You can install the 864 Home Heater in virtually any room in your home thanks to the option of venting from the top or rear of the firebox. The safe, sealed system of our direct vent technology preserves your health and your home's air quality.

Award Winning Flames

The 864 Home Heater also includes a new style of our patented, award-winning Ember-Fyre burner technology. This upgraded burner has been improved by an enhanced aesthetic with crisper coal bed details and hand painted logs. It also features a more consistent flame performance for the ultimate in fire realism.



Durability

Fireplace Xtrordinair uses a heavier gauge steel firebox in the construction of the 864 Home Heater, heavier than most other gas fireplaces on the market. In addition, the 864 HH features 5 mm silica coated ceramic glass, which prevents sulfur oxidation on the glass to help it stay cleaner longer and make it easier to clean. Silica coated ceramic glass is also the safest, most durable and shock absorbent fireplace glass you can buy.

Home Comfort

The gentle, consistent heat of the 864 Home Heater lets you enjoy the fire in your fireplace for longer periods of time without overheating the room. So you can enjoy more visiting with friends, more play time with the family or more romance in front of a beautiful, glowing fire.

864 HH Features:

- 23,000-40,000 Btu's (NG)
23,000-39,000 Btu's (LP)
- Steady State Efficiency: 81% (NG) - 82% (LP)
- Heating Capacity: Up to 2,250 sq. ft. with fan on
- Standard 180 FM Convection Fan
- Standing Pilot Heats even when power is out
- Ember-Fyre Burner Technology
- Variety of Face, Fireback and Andiron Combinations

Is It A Wood or Gas Fire?

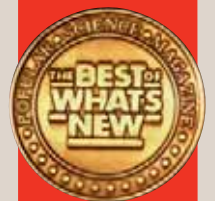
Patented Ember-Fyre™ Burner Technology

U. S. Patented # 6,602,068, 6,443,726 and other patents pending

The Fireplace Xtrordinair 864 HH features the patented Ember-Fyre burner system. Popular Science® magazine awarded the prestigious “Best of What’s New” award to the Ember-Fyre as one of the year’s top achievements in Science and Technology. The combustion system delivers an efficiency of up to 81%. The level of realism is so remarkable it is difficult to tell apart from our wood burning appliances. Unlike other gas burners the pilot is hidden. There are no unsightly burner tubes or metal pans and the fire and glowing embers are just as beautiful on the low flame setting as they are on high.

How It Works

- 1 Natural gas or propane is piped to a sophisticated SIT™ gas valve and started with the reliable Pizeo ignition system. This gas burner is designed to provide reliable, continuous operation even if the power goes out in your home.
- 2 The low-pressure gas then flows to a precisely engineered burner orifice.
- 3 A hidden mixing tube mixes the gas with outside air. (The standard mix is set by the installer to compensate for variations in altitude, fuel type, and line pressure).
- 4 The gas/air mixture flows through a unique array of burner ports in the ceramic base, where it ignites and burns.
- 5 As the Ember-Fyre heats to a deep red 1200 degrees fahrenheit, it mimics the look of glowing wood embers and charred logs. Dancing yellow flames further enhance the look and feel of a real wood fire.
- 6 For hands-free operation the optional remote control or wall thermostat allows you to set and maintain the comfort level of your home.



Decorative Firebacks

In addition to adding a gorgeous face to the outside of your fireplace, you can also decorate the inside with one of our patterned firebacks. Beautiful, hand-painted designs in realistic Weathered Brick, Stucco and Stone or Diamond Mosaic Tile give your fireplace that built-in masonry look and accentuate the style of the room. These ceramic firebacks can also be custom painted in several colors available from your professional Fireplace Xtrordinair dealer.



Weathered Brick



Diamond Mosaic Tile



Stucco & Stone

Warm Accent Light



Add a warm glow to your fireplace even when it's turned off! The accent light adds a glowing backlight behind the flames when the fire is on, and enhances the pattern of the fireback when it's off. It's perfect as a nightlight or soft indirect light for the room any time. Enjoy your fireplace 365 days a year.



Convenient Wall Switch

What could be more convenient than flipping a switch to turn on your fireplace just like you do your lights? Our standard wall switch puts that control right at your fingertips - no bending or stooping! Use the optional remote control to further set your flame preference. wall switch is included with the unit.



Wall Thermostat

The wall thermostat can be wired up to 25 feet from the appliance and allows you to set the temperature you wish to maintain in the room.

Manufactured Tile & Mantels



You can choose a beautiful new hearth system and often have it installed in as little as an afternoon! Companies such as Hearth Classics™, Grand Mantel™, and J.C. Huffman™ offer one-stop solutions. Choose your favorite Fireplace Xtrordinair gas fireplace, tile

or stone hearth products and custom wood mantel; they are all designed to work in perfect harmony. No need to search for craftsmen or finish carpenters. Ask your Fireplace Xtrordinair dealer for more details.

www.jchuffman.com

www.hearthclassics.com

www.grandmantel.com

Three Andiron Designs

Make a dramatic statement with one of these three gorgeous andiron styles. They add a classic wood fire touch and lend beauty to your fireplace even when it's not burning.



Colonial

Arabesque

Wrought Iron



Convection Fan

Heat your home even faster with our optional internal 180 CFM Convection Fan. It forces heat into the room and throughout your home to spread the heat quickly and evenly and enhance the fireplace's natural convection. It also turns on and off automatically to maintain the set temperature of the room when used with the optional remote or wall thermostat. Standard on the 864 HH.



Remote Control

The wireless remote control allows you to program the fire just the way you want it. Set the temperature as well as the shut-off time automatically. Also features a 6 hour safety shut-off. Can be used independently from the convection fan kit.

864 TRV and HH Optional Accessories

From basic to ornate, you can customize your 864 fireplace to fit any decor or style.

864 TRV Fireplace	Sk# # 98500170
864 HH Fireplace	Sk# # 98500180
Basic Black Grill Set	Sk# # 91002161
Classic Arch Black Face	Sk# # 99300497
Classic Arch Brushed Nickel	Sk# # 95800615
Black Painted Artisan Face	Sk# # 99300498
Ant. Nickel Plated Artisan Face	Sk# # 95800620
Ant. Copper Plated Artisan Face	Sk# # 95800619
Ant. Gold French Country Face	Sk# # 99300499
Black Painted French Country Face	Sk# # 95800616
Accent Lights	Sk# # 94400100
Colonial Andiron	Sk# # 98500631
Wrought Iron Andiron	Sk# # 98500632
Arabesque Andiron	Sk# # 98500633
Weathered Brick Fireback*	Sk# # 98500662
Stucco & Stone Fireback*	Sk# # 98500665
Diamond Mosaic Fireback*	Sk# # 98500661
Remote Control	Sk# # 99300677
Wall Thermostat	Sk# # 99300650
Extra Room Power Heat Duct Kit	Sk# # 98500769
Convection Fan 180 CFM (Standard on the 864HH)	Sk# # 99000156
Rear Vent Kit	Sk# # 98900168

*Firebacks are required on the 864 HH fireplace.

864TRV & HH™

13 GAS FIREPLACES



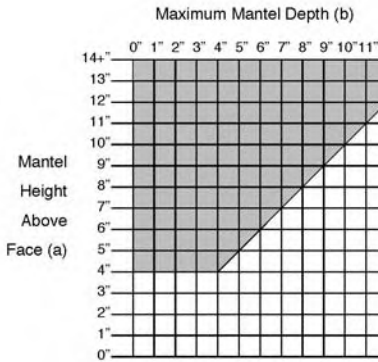
**FIREPLACE
XTRORDINAIR™**

Imagine a Fireplace for Every Room

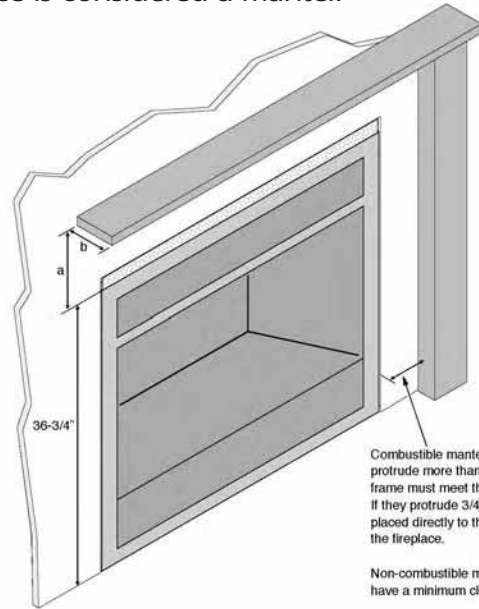
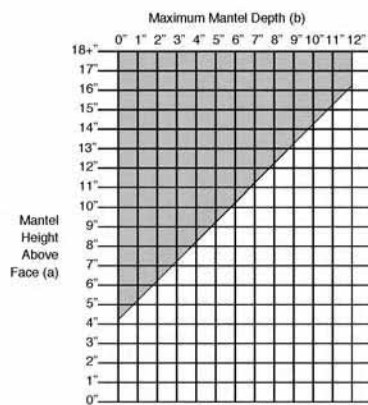
Mantels:

Use table to determine the maximum depth allowed. The mantel depth is measured from the face. Any material extending 3/4" from the face of the fireplace is considered a mantel.

FOR 864 TRV

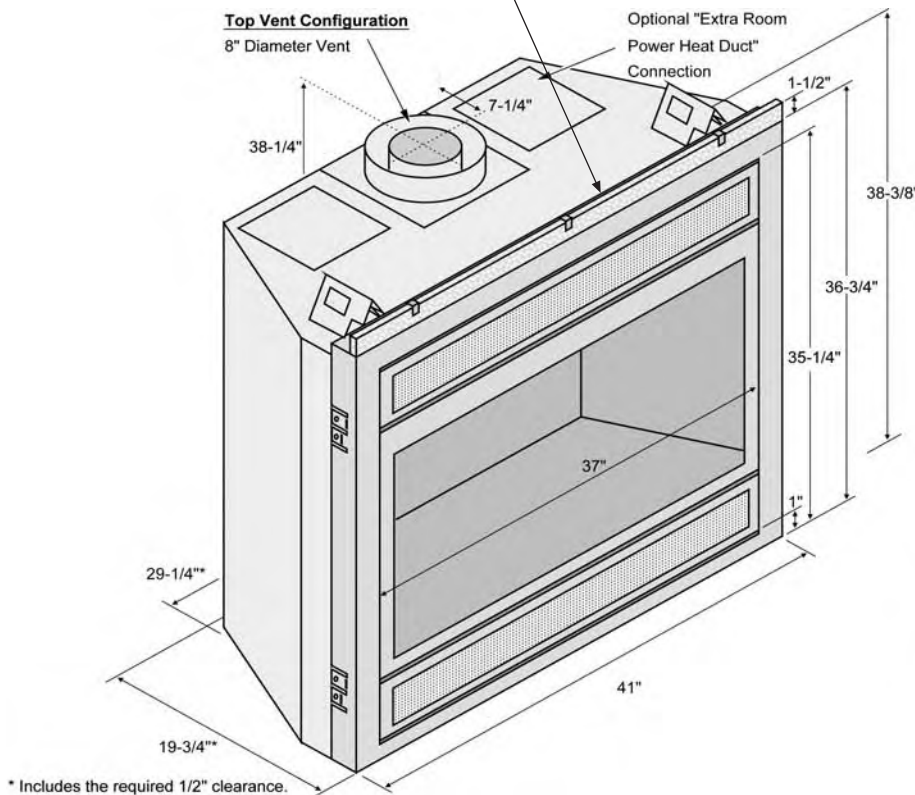


FOR 864 HH

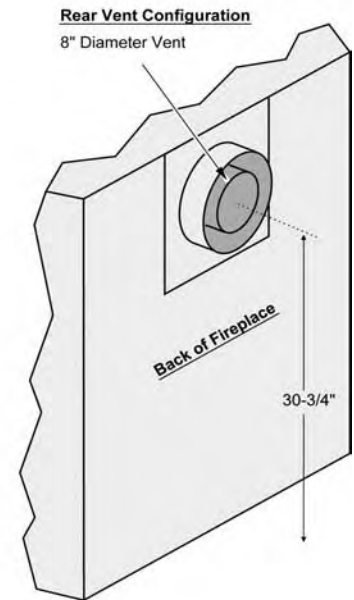


Dimensions

This strip is found only on the 864 HH.



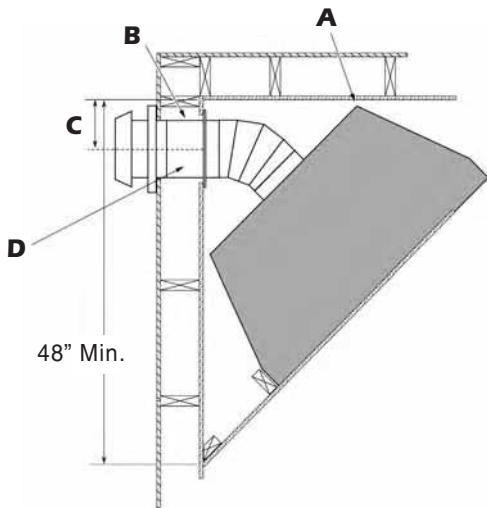
Weight: 225 Lbs.



Testing Tested and listed by OMNI-Test Laboratories, Inc. - Report # 028-F-59-5 ANSI Z21.88b-2003

Minimum Framing Dimensions - Rear Vent

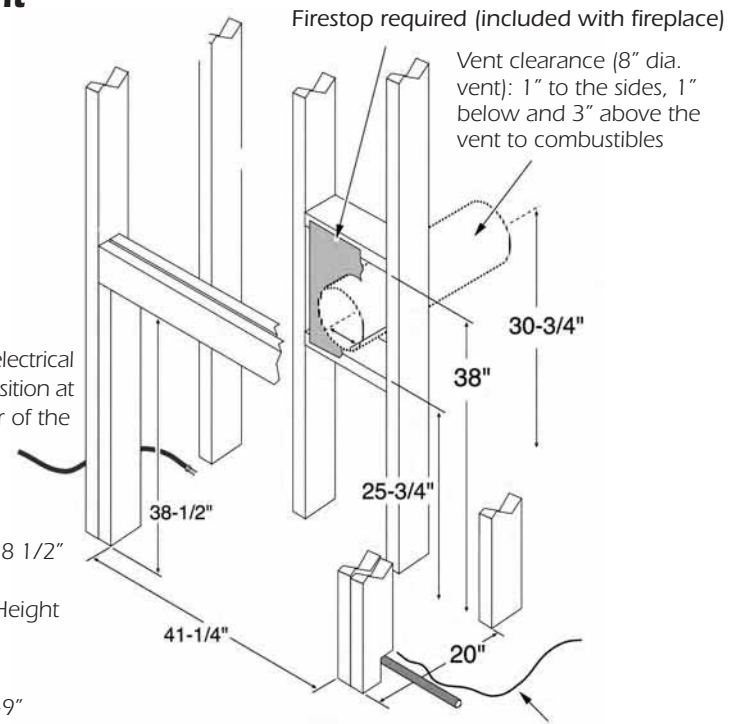
- A - Minimum 1/2" clearance
- B - Minimum 1" clearance
- C - 7-1/2" approximate, varies due to vent installation
- D - Most installations use:
 - 6" vent section for 2 x 6 walls
 - 4" vent section for 2 x 4 walls



Route the electrical line to a position at the left rear of the fireplace

864TRV
Minimum 38 1/2"
Fireplace
Enclosure Height

864 HH
Minimum 49"
Fireplace
Enclosure Height

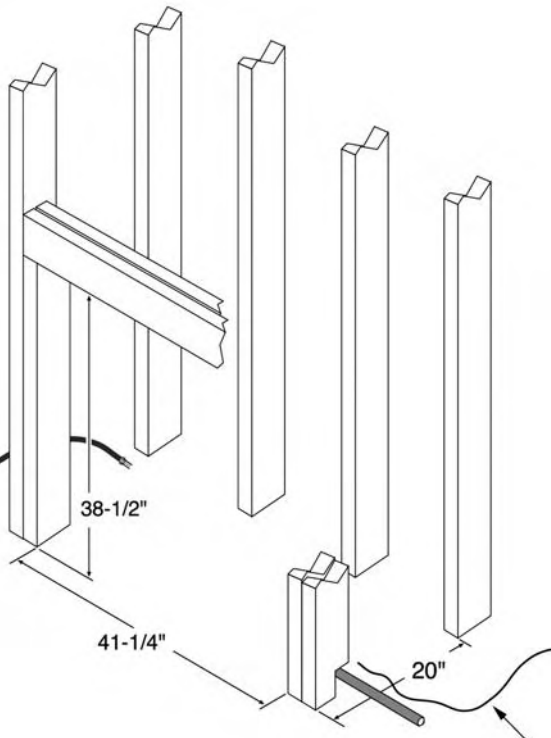


Minimum Framing Dimensions - Top Vent

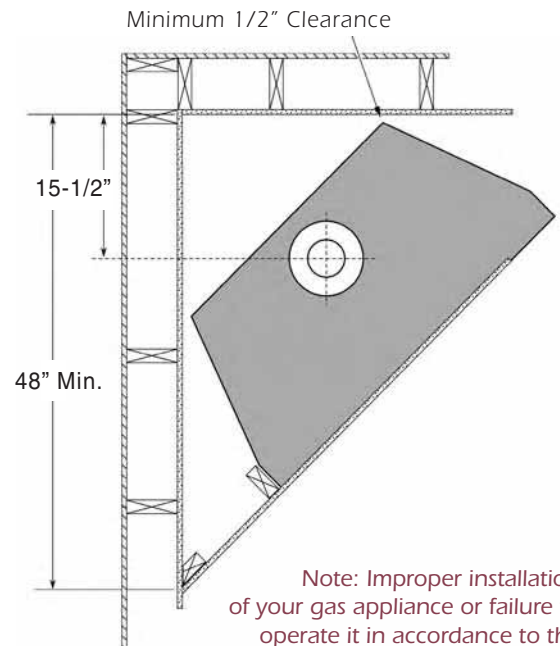
864TRV
Minimum 38 1/2"
Fireplace
Enclosure Height

864 HH
Minimum 49"
Fireplace
Enclosure Height

Route the electrical line to a position at the left rear of the fireplace



The on/off switch/thermostat wire (if used) should be routed to a location near the right front of the fireplace



Note: Improper installation of your gas appliance or failure to operate it in accordance to the guidelines detailed in the Installation Manual may negate your warranty and endanger your home and family. Installation information is available on our website at www.fireplacex.com.

We recommend all Fireplace Xtrordinaire appliances be installed and maintained on an annual basis by your Professional Hearth Retailer.

Fireplace Xtrordinair Fireplaces Are Proudly Crafted In The U.S.A.

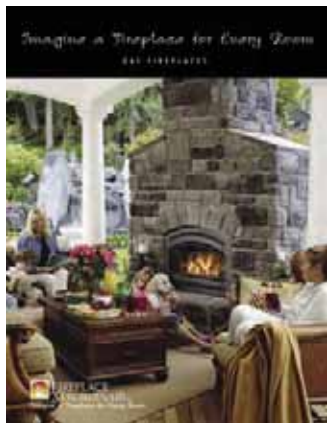
Installation Options:

Your 864 gas fireplace is approved for the following installation applications.

- Residential or Mobile Home
- Straight or Corner Placement
- Flush or Recessed Face
- Raised Hearth or Flush To The Floor
- Internal or External Chase
- Horizontal or Vertical Vent
- Bedroom Approved
- Outside Fireplace - see Damp Standard in Owner's Manual

Additional Fireplace Xtrordinair Products To Consider:

Fireplace Xtrordinair also makes a wide variety of wood and gas burning fireplaces and fireplace inserts. Visit you Authorized Fireplace Xtrordinair professional for more information.



Fireplace Xtrordinair offers a complete line of heater rated gas fireplaces in both landscape and portrait-style designs.



Turn your old, open masonry or metal (zero clearance) fireplace into a clean, efficient source of heat for your home.



Fireplace Xtrordinair manufactures a line of EPA Certified, wood burning fireplaces that feature the Posi-pressure heating system.



Imagine a Fireplace for Every Room

See our complete line of fireplaces online: www.fireplacex.com

We reserve the right to improve our product at any time without prior notification ▪ Please refer to the Owner's Installation Manual for complete installation requirements. ▪ Photos and illustrations are for descriptive purposes only ▪ Copyright © 2007

#98800212