

Gas Fireplaces



Avalon Gas Fireplaces

Fireplaces Designed For Your Lifestyle

Avalon has been America's premier builder of custom hearth products for over two decades. If you love the look and coziness of a wood fire, but do not have the time or desire to handle wood, then consider one of the beautiful gas burning appliances from Avalon™.

Avalon offers you gas fireplaces in a wide range of sizes for small, medium and large sized homes. Zone heating, in which only a portion of the home is heated, is also a popular and economical way to utilize your Avalon gas appliance.

We have faithfully adapted a number of traditional and regional designs that reflect the diversity of American architecture from yesterday and today.

Convenient Heat, Beautiful Flame

The design and craftsmanship of our products are positively stunning, and the fire is absolutely magical. All Avalon gas appliances feature innovative and award winning gas burner technology. Without a doubt, our gas burner technology along with hand-carved logs and glowing embers produce the most beautiful gas fire ever designed.

There are no visible gas tubes or metal pans, just glowing embers and soft dancing flames.

All stoves, inserts and fireplaces are rated as room heaters, with extraordinary efficiency.

You can have your Avalon dealer install a thermostat to keep the room temperature where you like it, or you can install a remote control to adjust the heat output to your own personal comfort level from the convenience of your chair.

All in all, there is no better value or finer gas products than the ones offered in this catalogue by Avalon.

Direct Vent Gas Fireplaces

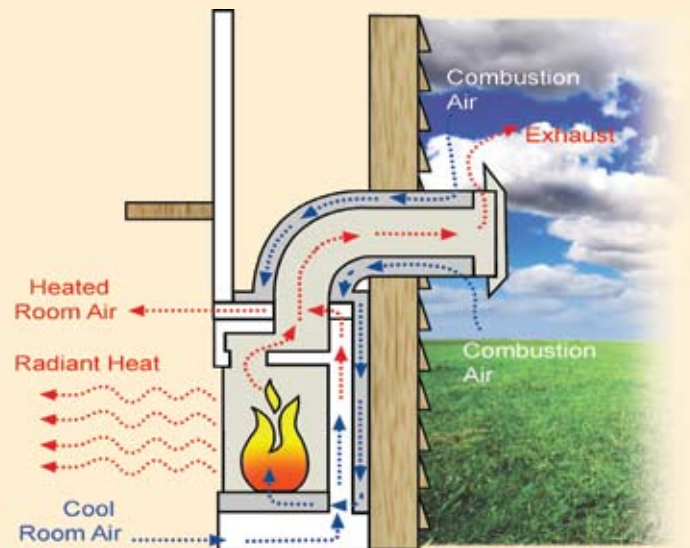
All Avalon gas appliances feature only the safest and most efficient type of gas venting, the Direct Vent System.

The Direct Vent System draws outside air into a SEALED firebox for combustion, and vents the by-products of that combustion to the outdoors, which helps maintain indoor air quality. This safe, sealed system is the only gas venting system we use on all Avalon gas products.

No Power, No Problem

All Avalon gas appliances will continue to operate even if the power goes out.

Our gas appliances produce a small amount of electricity (milivolts), which continue to energize the gas valve and allow the appliance to heat even when the power goes down in your community. So when the power goes out, stay warm with your Avalon and have the neighbors over!



Avalon Gas Fireplaces - Five Models For Any Home, Any Room

Step #1 Dream, go ahead, dream big.

Picture enjoying a beautiful fireplace in virtually every room of your house. Imagine a Hideaway in your bedroom or kitchen, a Seattle with a Victorian Lace face in the office and a Winthrop HH fireplace with the Bungalow face in you family room.

Step #2 Pick the fireplace or fireplaces to make your vision happen.

Our gas fireplaces are available in five models in various sizes and with different heating capacities.

HIDEAWAY TOP/REAR VENT	SEATTLE SPACE SAVER	WINTHROP TRV	WINTHROP SEE-THRU	WINTHROP HOME HEATER
Ideal for small intimate areas such as bedrooms, baths and dens	Ideal for zonal heating or for those who do not require a lot of heat.	Ideal for zonal heating or for those who do not require a lot of heat.	Perfect for between living and dining areas and bedroom and bath	Ideal for zonal heating and those looking for more heat output
Heats Up To 650 Sq. Ft.	Heats Up To 950 Sq. Ft.	Heats Up To 1,400 Sq. Ft.	Heats Up To 1,500 Sq. Ft.	Heats Up To 2,000 Sq. Ft.
BTU Range/Hour 16,500 (High) 3,780 (Low) NG 3,150 (Low) LP	BTU Range/Hour 20,500 (High) 5,100 (Low) NG 4,200 (Low) LP	BTU Range/Hour 31,000 (High) 6,700 (Low) NG 5,200 (Low) LP	BTU Range/Hour 37,500 (High) 14,700 (Low) NG 10,000 (Low) LP	BTU Range/Hour 40,000 (High) NG 32,375 (Low) NG 26,600 (Low) LP
Overall Efficiency 82.2% (NG) 79.5% (LP)	Overall Efficiency 76.5% (NG) 74.2% (LP)	Overall Efficiency 80% (NG) 81% (LP)	Overall Efficiency 76.4 % (NG) 77.5 % (LP)	Overall Efficiency 80.4% (NG) 83.4% (LP)
Fan Optional	Fan Optional	Fan Optional	Fan Optional	Fan Standard

Fireplace Faces

Step #3 Select a fireplace face from our custom selection, perhaps different faces in different rooms of your home.

There are a variety of custom fireplace faces available for Avalon fireplaces. Choose from the basic grill or the beautiful, intricate Victorian Lace face, Bungalow double door or Tree of Life double door designs.

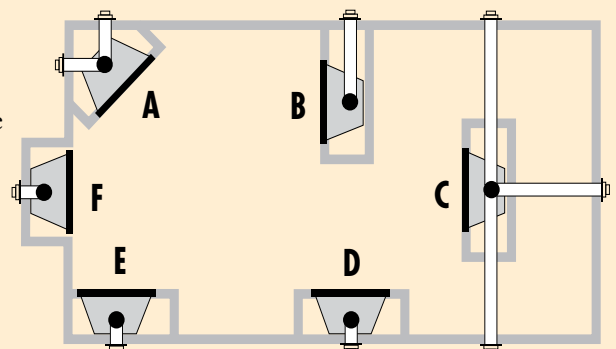
Location Options Within Your Home

Step #4 Determine where you would like to install a fireplace.

The Direct Venting System provides for horizontal or vertical venting through the outside wall or ceiling, allowing you to install your fireplace virtually anywhere in your home.

You can install your fireplace in any of these configurations:

- A. Cross Corner
- B. Room Divider
- C. Island
- D. Flat on Wall
- E. Flat on Wall Corner
- F. Flat with Wall/Alcove



Hideaway™ Portrait-Style Fireplaces

Tree of Life cast Double door face with standard black interior



The **Hideaway™** portrait-style gas fireplace is as cozy and convenient as its name suggests. Available in four designer faces and with the choice of a standard black or either the Herringbone Rumford™ or Rock Creek™ ceramic interiors, the Hideaway is as versatile as it is beautiful.

The Hideaway is designed for corner or limited space installations in small intimate settings such as bedrooms, baths, dining rooms, foyers or kitchens. You have the option of two different models, top vent or rear vent, for ease of installation. Compact and easy to install, its applications are limited only by your imagination! In most cases it can be installed in as little as one afternoon.

The Hideaway TRV features the award winning Ember-Fyre™ burner and wood log set to produce a fire so realistic its often mistaken for a real wood fire. Need a little extra heat? add the optional, quiet 90 CFM convection fan to circulate heated air throughout the room. Other options include the Accent Light, to provide a warming glow to the interior of the fireplace, even when the fire is off, and your choice of Wall Thermostat, Standard Remote Control or the Omega™ Modulating Remote Control.

Heating Capacity:	Maximum Btu/Hr.	Minimum Btu/Hr.	Overall Efficiency:	Glass Area:	Face
Up To	Input:	Input:	82.2% (NG)	16" W x 21" H	Dimensions:
650 Sq. Ft.	16,500 (NG & LP)	3,780 (NG) 3,150 (LP)	79.5 % (LP)	(303 Sq. In.)	20 1/2" W x 35 1/4" H

Perfect for small intimate settings such as bedrooms, baths, dining rooms, foyers or kitchens.



Bungalow™ double door face with Herringbone Liner and Accent Light options.

The Hideaway™ TRV allows the versatility to be installed as either a top or rear vent fireplace. The Hideaway TRV features the Home Comfort™ gas valve that gives you a huge gas turn-down ratio for true year-round use flexibility. The Hideaway can be adjusted down from a high of 16,500 Btus an hour to a low of 3,780 Btus on NG and 3,150 Btus on LP. Now you can enjoy your fireplace even when you do not require the heat. The Hideaway TRV features 302 sq. in. of viewing glass, and a wide range of face styles and options are available to create your favorite fire. The Hideaway is designed to heat up to 650 sq. ft.

Decorative Face Options



Victorian Lace
Black Painted



Victorian Lace
Black Nickel Plated



Bungalow
Charcoal Powder
Coated



Tree of Life
Black Painted

Interior Liner Options



Rock Creek
Interior



Herringbone
Interior

Liners with Accent Light Option



Seattle™ Space Saver



Black painted Victorian Lace face with optional herringbone brick fireback.

Heating Capacity:	Maximum Btu/Hr.	Minimum Btu/Hr.	Overall Efficiency:	Glass Area:	Face
Up To	Input:	Input	76.5% (NG)	31 3/8" W x 18 1/8" H	Dimensions:
950 Sq. Ft.	20,500 (NG & LP)	5,100 (NG) 4,200 (LP)	74.2% (LP)	(564 Sq. In.)	32 3/8" W x 27 1/2" H

*Saving space with exquisite taste!
Avalons newest narrow profile gas fireplace.*

Known for its even, radiant and convective heat, the efficient Seattle™ Space Saver gas fireplace is designed to gradually bring the temperature up in the home without overheating. This is ideal for bedrooms, offices and intimate spaces, and for applications where moderate zonal heating is desired. An optional 180 CFM convection fan is also available to aid in the transfer of heat from the fireplace to your home.

One of the most exciting features of the Seattle is the Home Comfort™ control valve. This exclusive control allows you even more flexibility of your heat and flame, while maintaining the fire and glowing embers. The burner can be adjusted from a high of 20,500 Btus to as low as 5,100 Btus with natural gas (4,200 Btus with propane). This wide turndown range allows the user the ability to enjoy the fireplace year round.

The Seattle may be personalized for each owner and living space. Choose from something as simple as the basic grill package or choose from one of three beautiful upgrade faces in a choice of textured finishes. Add the reversible brick fireback with Straight brick or Herringbone brick patterns. The optional Accent Light enhances the glow of the fire and the details on the ceramic fireback. You can even use the Accent Light to give a warm glow to your fireplace when the fire is turned off so you have use of your fireplace 365 days a year as a feature in your home.

Practical, efficient and beautiful - The Seattle gas fireplace makes the ideal fireplace solution to any home.

Seattle Space Saver Face Options:



Basic Black Grill



Black Painted Victorian Lace



Bronze Textured Tree of Life
Double Door



Charcoal Textured Bungalow
Double Door

Features:

- Thin profile 16 1/4" deep, requires less to install
- 564 sq. in. of tempered glass
- Removable safety screen
- Heater rated fireplace
- Two-stage pan burner with adjustable Home Comfort™ gas valve
- Standard ON/OFF wall switch
- Top or rear vent installation option on same unit
- 18 gauge steel construction
- LP conversion kit included with fireplace

Options:

- 3 different cast iron Andrions
- Reversible Straight Brick or Herringbone fireback
- Rock Creek fireback
- Accent Light
- 180 CFM Variable speed fan
- Wall Thremostat
- Remote Control
- Omega Modulating Remote Control

See options on page 17 & 18

Winthrop™ Gas Fireplaces

Winthrop - A Tale of Three Fireplaces

The Winthrop lineup of gas fireplaces offers you three incredible gas fireplaces designed for different aspects of heating your home, while all offering a huge 864 sq. inches of fireview and the ability to personalize with your choice of decorative faces, firebacks, andirons, accent lights and the ability to move heated air to another room up to 20 feet away with the optional Power Heat Duct Kit.

The Winthrop is available in three models, each designed for their unique features and home application:



Winthrop TRV

The Winthrop TRV top or rear vent is perfect for warmer climates, smaller spaces, or a beautiful, decorative fire all year long. It features a wide BTU turn down range for more heat flexibility and flame viewing options. It can send heat directly to one additional heat zone within your home.

BTU Range

6,700 - 31,000 NG
5,200 - 31,000 LP

Heating Capacity

Up to 1,400 Square feet

Glass

Tempered glass with removable safety screen

Convection Fan

Optional thermostatically controlled variable speed 180 CFM fan

Burner

2 stage gas valve and pan burner with independent controls

Logset

4 piece ceramic logset

Extra Room Power Heat Duct

Option of one power heat duct kit



Winthrop See-Thru

The Winthrop See-Thru offers two-sided fireviewing and is an ideal choice for zonal heating within your home. The Winthrop See-Thru offers an unprecedented fire and logset (which presents a different look from either side). You can send heat directly to one additional heat zone within your home.

BTU Range

14,700 - 37,500 NG
10,000 - 37,500 LP

Heating Capacity

Up to 1,500 Square feet

Glass

Tempered glass with removable safety screen

Convection Fan

Optional thermostatically controlled variable speed 130 CFM fan

Burner

2 stage gas valve and pan burner with independent controls

Logset

9 piece ceramic logset

Extra Room Power Heat Duct

Option of one power heat duct



Winthrop Home Heater

The Winthrop HH Home Heater offers more heat for colder climates and heats larger spaces - up to 2,250 sq. ft. It can send heat directly to two additional heat zones within your home. It includes the award-winning Ember-Fyre burner and gives you a gentle consistent heat without overheating.

BTU Range

32,375 - 40,000 NG
26,600 - 39,000 LP

Heating Capacity

Up to 2,250 Square feet

Glass

5mm silica coated ceramic glass

Convection Fan

Standard thermostatically controlled variable speed 180 CFM fan

Burner

Patented Ember-Fyre™ burner with high definition ember bed

Logset

9 piece ceramic logset

Extra Room Power Heat Duct

Option of up to two power heat duct kits

Winthrop™ Face Options



Winthrop Home Heater Fireplace with Basic Black Grill



Victorian Lace
Black Painted Face



Victorian Lace Black Nickel Plated Face
with Brushed Nickel Details

Winthrop Fireplace Face Options

Pictured here are the same fireplace as shown above featuring the different faces and firebacks available for the Winthrop fireplace line. At any time you have the option of changing the look of the Winthrop fireplace. Fireplace front measure 40 5/8" wide x 36 3/4" high.



Bungalow Double Door Face in textured charcoal powder coated finish with basket weave grill insets



Bungalow Double Door Face in textured charcoal powder coated finish with screen grill insets



Tree of Life Double Door Face in powder coated textured bronze finish

Winthrop TRV



Bronze powder coated Tree of Life double door face with Straight Brick Fireback and Accent light option.

Heating Capacity: Up To 1,400 Sq. Ft.	Maximum Btu/Hr. Input: 31,000 (NG & LP)	Minimum Btu/Hr. Input 6,700 (NG) 5,200 (LP)	Overall Efficiency: 77.2% (NG) 78.4% (LP)	Glass Area: 36" W x 24" H (864 Sq. In.)	Face Dimensions: 34 1/8" W x 36 7/8" H
---	---	---	---	---	--

The economical TRV features a huge view with the largest gas turndown rate of any large gas fireplace



The Winthrop™ TRV, the top or rear vented gas fireplace perfect for warmer climates, smaller spaces or a beautiful, decorative fire all year long. It features a wide BTU turn down range (31,000 to 6,700 Btus) for more heat flexibility and viewing options. The Winthrop TRV features 864 sq. in. of viewing glass, and a wide range of face styles and options are available to create your favorite fire. Designed to heat up to 1,400 sq. ft.

We've perfected the art of making a gas fire look like a real wood fire. From the performance and color of the flames to the logs hand carved with intricate detail, you'll be amazed at the beauty and realism of the Winthrop TRV fire. The Winthrop features 864 square inches of viewing glass with a removable safety screen. The screen protects against burns if the glass is touched and reduces glare on the glass for a beautiful view of the fire.

Superior Venting Technology

The option of venting from the top or rear of the fireplace means you can install the Winthrop virtually anywhere inside or outside of your home. Our direct vent technology is a completely safe and closed system that preserves the air quality in your home. Unlike some other fireplaces, the Winthrop's direct vent system is designed to bring outside air into your fireplace for combustion and does not take away the heated air inside your home.

Heating Versatility & Efficiency

The Winthrop is ideal for year-round fire enjoyment since it's versatile enough to be a highly efficient heater or a low-heat decorative display of flames. You can add an optional high-volume, low-noise convection fan to increase the heat output even more on the coldest days of the year. By adding the optional Extra Room Power Heat Duct, you can directly send heat to an additional zone within your home. Our standing pilot system generates enough electricity to ensure the Winthrop will operate even if the power goes out. Rest assured you will be able to add heat to your home even in the worst of storms.



Figure #1



Figure #2



Figure #3

Ultimate Flame Adjustability

You can have virtually unlimited flame variation with our Home Comfort™ control valve and the Flame Height Adjuster Knob. Use all 31,000 Btus of flame on the coldest winter nights or with the touch of a button turn it down to only 6,700 (NG) or 5,200 (LP) for a romantic firelight on a warmer night. Enjoy a full flame fire with maximum height. (Figure 1) Use the Flame Height Adjuster Knob to turn the flames lower when you want less heat. (Figure 2) Use the Home Comfort control valve to turn off the rear burner completely for a darker, more romantic fire (Figure 3).

Winthrop ST (See-Thru)



Shown with black nickel plated Victorian Lace face with brushed nickel accents and straight brick fireback

Heating Capacity:
Up To
1,500 Sq. Ft.

Maximum Btu/Hr.
Input:
37,500 (NG & LP)

Minimum Btu/Hr.
Input
14,700 (NG) 10,000 (LP)

Overall Efficiency:
76.4 % (NG)
77.5 % (LP)

Glass Area:
36" W x 24" H x 2
(1728 Sq. In.)

Face
Dimensions:
34 1/8" W x 36 7/8" H

The Winthrop ST features the most realistic fire and logset ever offered in a see-thru gas fireplace.



Considerable effort was spent on creating the Winthrop See-Thru gas fireplace for the Avalon Winthrop family of fireplaces. While maintaining the natural balance and proportion between the firebox, logs, fireview and flames this amazing fireplace maintains common framing dimensions making it a welcome addition to the Avalon brand.

As your eyes focus on the beautiful flames there is no way you can ignore the amazingly realistic hand carved detail on the expansive nine piece logset. Together the burner and logset really make this fireplace glow.

Huge Glass Viewing Area

With two sided fire viewing you get 1728 total square inches of glass (864 sq. in. on each side). The Winthrop See-Thru features tempered glass with a safety screen on both sides. This screen gives the appearance of a traditional fireplace and provides a safety barrier for small children so they do not come directly in contact with the hot glass. The screen is removable if you desire a cleaner open fireplace look.

Best Heater Rated See-Thru on the Market

Like all Avalon gas fireplaces, the Winthrop See-Thru is Heater Rated. At 37,500 Btus per hour input, the Winthrop See-Thru is designed to provide up to 1,500 square feet of comfortable heat. The convection chamber built into the Winthrop See-Thru is channeled for even heat distribution on either side of the fireplace and has been designed so you can't see through it, creating a more finished look.

Designed For Year Round Use

The Winthrop See-Thru features the largest turn down rate of any see-thru gas fireplace in its category. We include the Home Comfort Control Valve which allows the user virtually unlimited flame variation. Great for setting the mood and allowing the fireplace to be used throughout the entire year.

Personalize Your Fireplace on Both Side

With two sides you can personalize the fireplace for each room using a different face on each side of the fireplace. The Avalon Winthrop See-Thru allows you to choose from the basic black grill or one of the beautiful upgrade faces in a variety of colors and finishes.

Cast Iron Andirons finish the interior and accent the beautiful logs and flames.

The **Dual Accent Light** option makes it possible to enjoy the fireplace even when the fire is off making the unit functional all year long. The accent light can also be used to enhance the fire while it is burning.

Firebacks allows you to choose Straight Brick, Herringbone or Rock Creek designs to finish off the floor and firebox sides.

See more options available for the Winthrop See-Thru on pages 17 and 18.



Optional Straight Brick Fireback



Optional Herringbone Brick Fireback



Optional Rock Creek Brick Fireback

Winthrop™ HH (Home Heater)

Shown with charcoal powder coated Bungalow double door face with Rock Creek liner



Outdoor Installation Approval - All the Avalon gas fireplaces in this brochure are approved for outside installation in covered areas.

Heating Capacity:	Maximum Btu/Hr. Input:	Minimum Btu/Hr. Input	Overall Efficiency:	Glass Area:	Face
Up To	40,000 (NG)	32,375 (NG)	80% (NG)	36" W x 24" H	Dimensions:
2,250 Sq. Ft.	39,000 (LP)	26,500 (LP)	81% (LP)	(864 Sq. In.)	34 1/8" W x 36 7/8" H

The Winthrop HH Home Heater offers more heat for colder climates and is designed to heat larger spaces

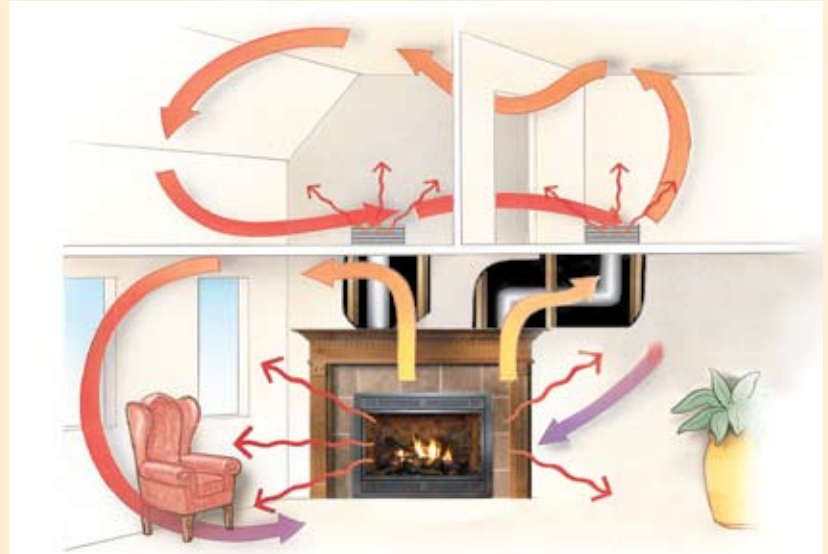


The 40,000 Btu Winthrop HH Home Heater offers more heat for colder climates and heats larger spaces - up to 2,250 sq. ft. Heat can be ducted to two additional heat zones for faster transfer of heat to those areas. The Winthrop HH features 864 sq. in. of viewing glass and a wide range of face styles and options are available to create your favorite fire. The Winthrop HH includes the award-winning Ember-Fyre™ burner and provides gentle, consistent heat.

Heating Efficiency

You get a higher efficiency and higher Btu's in the same size firebox with the Winthrop Home Heater. You get the huge view of the fire and more heat for larger rooms and living spaces - up to 2,250 sq. ft. Use one or two of the optional Power Heat Duct Kits to send heat to additional heat zones within your home up to 25 feet.

Illustration shows natural convection, radiant heat and Power Heat Duct Kits.



Installation Flexibility

You can install the Winthrop Home Heater in virtually any room in your home thanks to the option of venting from the top or rear of the firebox. The safe, sealed system of our direct vent technology preserves your health and your home's air quality.

Award Winning Flames

The Winthrop Home Heater also includes our newest style of our patented, award-winning Ember-Fyre burner. This upgraded burner has been improved for enhanced aesthetics with crisper coal bed details and hand-painted logs cast from real wood. It also features a more consistent flame performance for the ultimate in fire realism.



Durability

Avalon uses a heavier gauge steel firebox in the construction of the Winthrop HH. In addition, the Winthrop HH features 5mm silica coated ceramic glass which prevents sulfur oxidation on the glass to help it stay cleaner longer and make it easier to clean. Ceramic glass is also the safest, most durable and shock absorbent fireplace glass you can buy.

Home Comfort

The gentle, consistent heat of the Winthrop Home Heater lets you enjoy the fire for longer periods of time without overheating the room. Enjoy visiting with friends longer, more play time with the family or more romance in front of a beautiful, glowing fire.

Ember-Fyre™ Burner

Is It A Wood Or Gas Fire?

*U.S. Patent #6,602,068, #6,443,726 and other patents pending

Patented Ember-Fyre™ Burner Featured on the Hideaway TRV and 864 HH Gas Fireplaces

Popular Science® magazine awarded the prestigious “Best of What’s New” award to the Ember-Fyre as one of the year’s top achievements in Science and Technology. This combustion system delivers an efficiency over 80%. The level of realism is so remarkable it is difficult to tell apart from our wood burning appliances. Unlike other gas burners, the pilot is hidden. There are no burner tubes or metal pans to interfere with the realism and the fire and glowing embers are just as beautiful on the low flame setting as they are on high.

How It Works:

- (1.) Natural gas or propane is piped to a sophisticated SIT™ gas valve and started with the reliable Piezo ignition to provide reliable, continuous operation even if the power goes out in your home.
- (2.) The low-pressure gas then flows to a precisely engineered burner orifice.
- (3.) A hidden mixing tube mixes the gas with outside air. The standard mix is set by the installer to compensate for variations in altitude, fuel type, and line pressure.
- (4.) The gas/air mixture flows through a unique array of burner ports in the ceramic base, where it ignites and burns.
- (5.) As the Ember-Fyre heats up to a deep red 1200°F, it mimics the look of glowing wood embers and charred logs. Dancing yellow flames further enhances the look and feel of a real wood fire.
- (6.) For hands free operation the optional remote control or wall thermostat allows you to set and maintain the comfort level of your home.





Winthrop TRV Shown with Bungalow face and Rock Creek liner and Accent Light options.

Fireplace Options

Cast Iron Andirons

Stylize the interior of your fireplace with one of these beautifully designed andiron sets. They add another touch of wood-fire realism to your fireplace and look stylish even when the fire is off.

Small Andirons for Seattle Fireplace



Traditional Urn



Lodge Ring



Traditional Ring

Large Andirons for Winthrop Fireplaces



Wrought Iron



Colonial



Arabesque

Firebacks

In addition to adding a gorgeous face to the outside of your Winthrop fireplace, you can also decorate the inside with one of our patterned firebacks. These beautiful, hand-painted designs give your fireplace that built in masonry look and accentuate the style of the fireplace. Available in realistic reversible Straight Brick/Herringbone Brick or Rock Creek designs.



Straight Brick with the Winthrop HH



Herringbone with the Winthrop HH



Rock Creek with the Winthrop HH

Accent Lights

Add a warm glow even when the fire is turned off! The accent light adds a glowing backlight behind the flames when the fire is on, and enhances the pattern of the fireback when it's off. It's perfect as a nightlight or soft indirect light for the room any time. The Accent Light also allows use of your fireplace year-round. The Accent Light gives a warming glow from your fireplace even when the fireplace is off.



*Accent Light in the Winthrop TRV
with Straight Brick Liner*



*Accent Light in the Winthrop TRV
with Herringbone Liner*



*Accent Light in the Winthrop TRV
with Rock Creek Liner*

Extra Room Power Heat Duct Kit

Send heat directly to additional rooms in your home with the Extra Room Power Heat Duct Kit. This optional venting configuration delivers heat to up to two additional rooms within 20 feet of your fireplace.

Winthrop TRV

Add One Power Heat Duct Kit

Winthrop See-Thru

Add One Power Heat Duct Kit

Winthrop Home Heater

Add One or Two Power Heat Duct Kits



Convection Fan

Increase the movement of heat into the room with a quiet convection fan. A convection fan helps quickly move heat off the fireplace and transfer it into your living space. The Winthrop HH has the Convection Fan as a standard option. The Convection Fan on the Hideaway TRV, Seattle SS, Winthrop TRV and Winthrop ST must be ordered separately.

Hideaway TRV - 90 CFM (Optional)

Seattle Space Saver -180 CFM (Optional)

Winthrop TRV-180 CFM (Optional)

Winthrop See-Thru -130 CFM (Optional)

Winthrop HH -180 CFM (Standard with fireplace)

Wall Thermostat



The wall thermostat provides the ability to set the desired temperature that you would like for the room. The fireplace will cycle on and off to maintain your set temperature. The

Wall Thermostat can be wired up to 25 feet from the appliance and allows you to set the room temperature you wish to maintain in the room.

Standard Remote Control

Control your Avalon gas fireplace from the comfort of your sofa or easy chair. The Standard Remote Control allows for convenient Manual ON/OFF control of the fire or Automatic Thermostatic Control of your fireplace. Just set your desired room temperature on the remote control and let the fireplace do the rest. Remote includes timer and child proof lock out.



Omega™ Modulating Remote Control

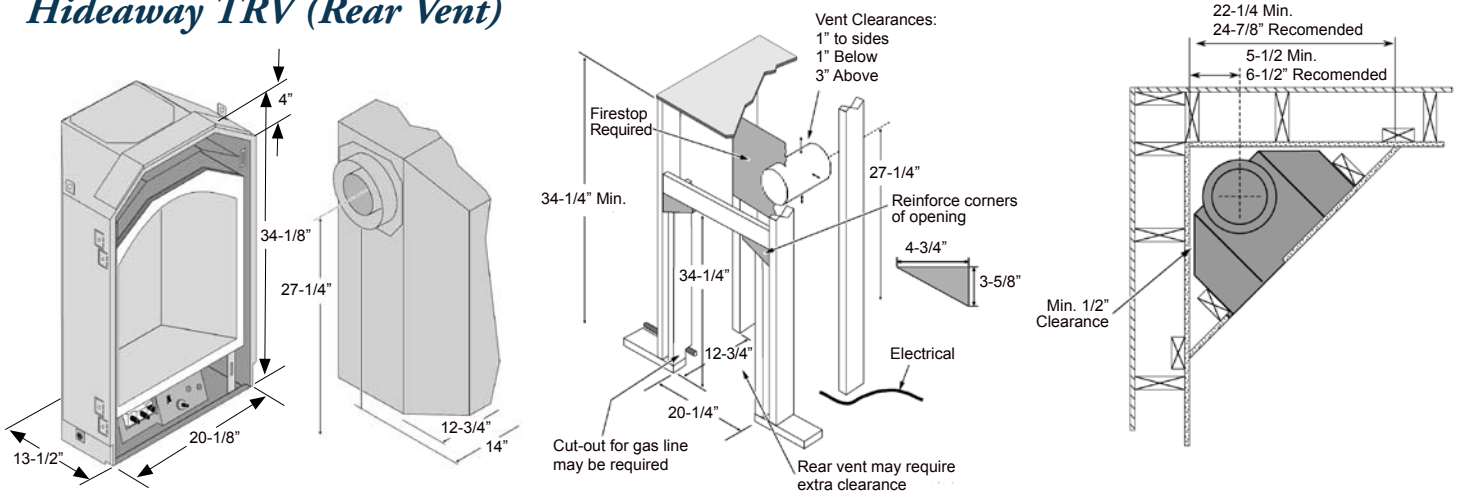
The Omega Modulating Remote Control provides for the ultimate in remote control operation of your fireplace. The Omega remote offers ON/OFF and thermostat controls along with modulating (high to low) control of flame, heat output, convection fan speed and intensity of the accent light.

Requires convection fan and accent light options to operate. Omega allows ON/OFF and temperature operations without the fan or light.

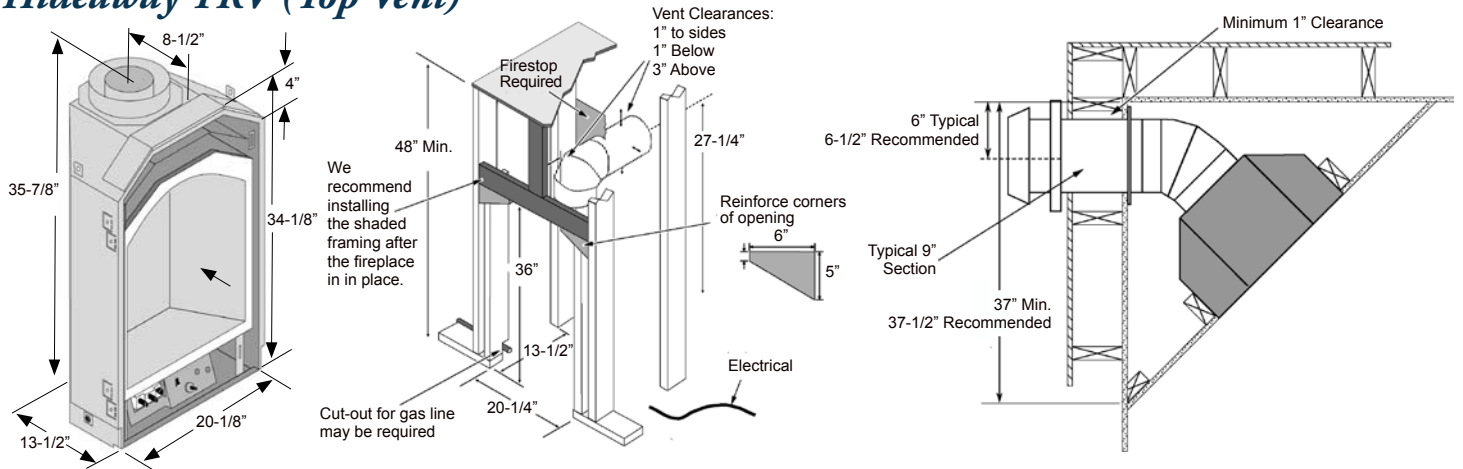


Framing Details

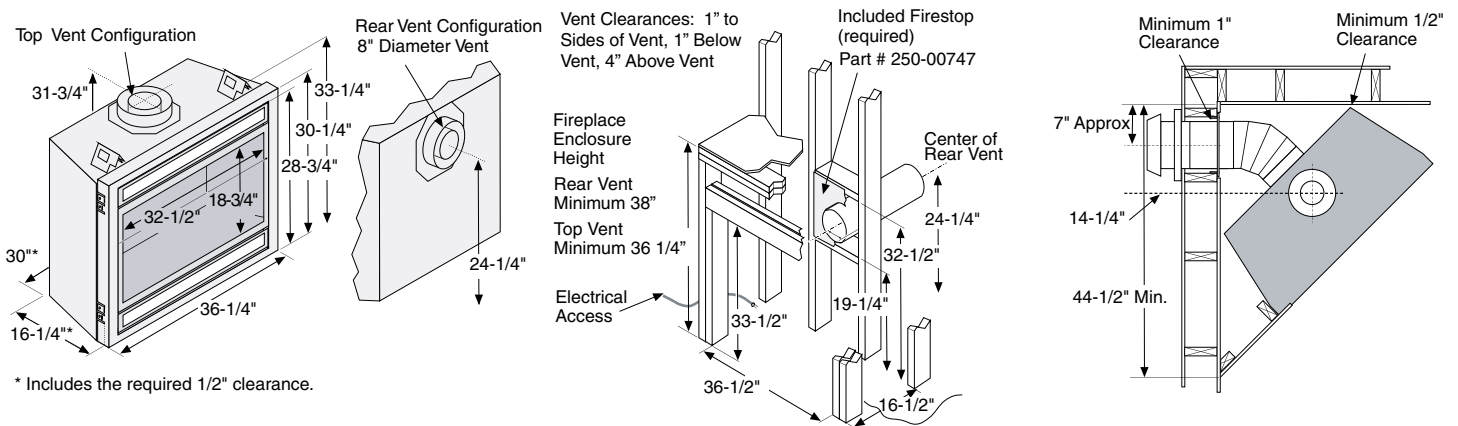
Hideaway TRV (Rear Vent)



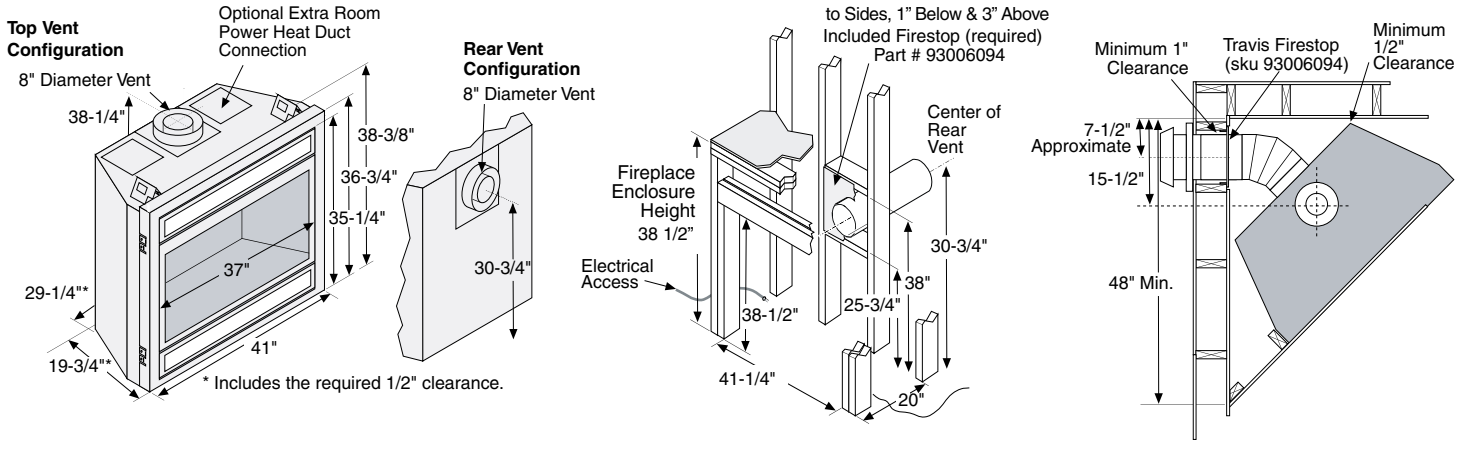
Hideaway TRV (Top Vent)



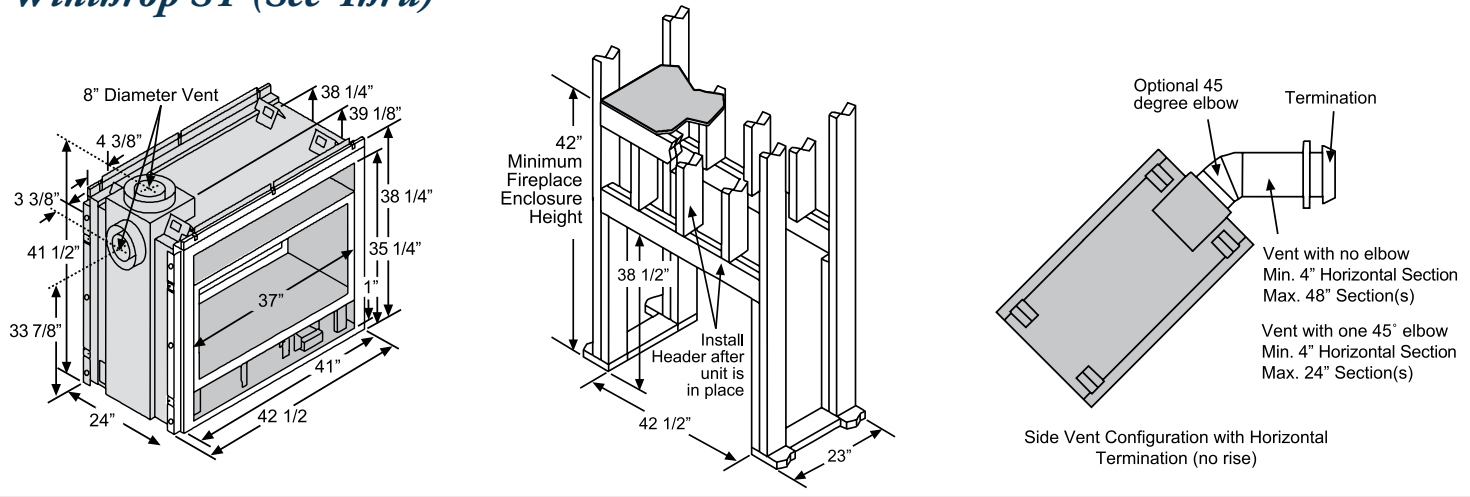
Seattle SS (Space Saver)



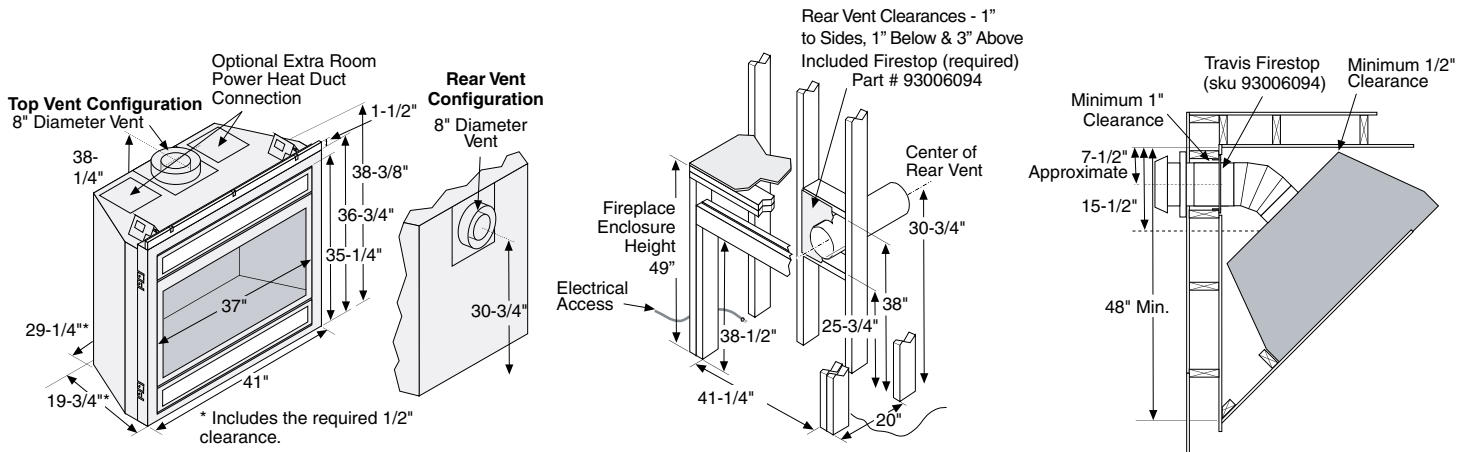
Winthrop TRV (Top Vent/Rear Vent)



Winthrop ST (See-Thru)



Winthrop HH (Home Heater)

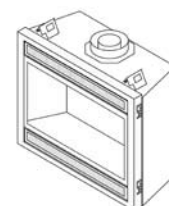


Product Specifications

Avalon Gas Fireplaces



Hideaway TRV



Seattle Space Saver

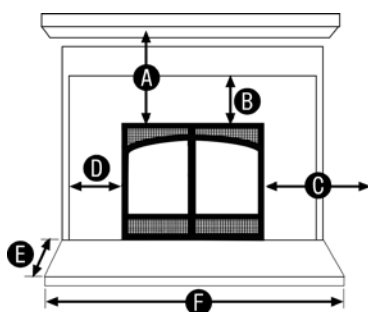
Specifications The dimensions and clearances on this page are for reference only. Refer to the Owner's Manual prior to installation.

Height - including standoffs	35 7/8"	33 1/4"
Width	20 1/8" Front	36 1/4"
Depth	15"	16 1/4"
Flue Diameter	8" (Top Vent can be reduced to 6 5/8")	8" Top Vent can be reduced to 6 5/8"
Unit Weight	86 lbs.	155 lbs.
Burner System	Ember-Fyre	2 Stage Pan Burner
Glass Area	16" W x 20 1/2" H = 303 sq. in.	31 3/8" W x 18 1/8" H = 564 sq. in.
Powerful Fan	90 CFM - Optional	180 CFM - Optional
Power Heat Duct Option	No	No

Performance *Gas appliance performance can be affected by negative pressure in the home and by prevailing atmospheric conditions. Efficiency may vary depending on vent configuration and atmospheric conditions. Contact local building or fire officials about restrictions and installation requirements in your area.

Heating Capacity*	Up to 650 Sq. Ft.	Up to 950 Sq. Ft.
Btu Input High/Output Low NG*	16,500 (H) 3,780 (L)	20,500 (H) 5,100 (L)
Btu Input High/Output Low LP*	16,500 (H) 3,150 (L)	20,500 (H) 4,200 (L)
Overall Efficiency* (maximum vent)	82.2% NG, 79.5% LP	76.5% NG, 74.2% LP
AFUE*	63% NG, 63 % LP	64% NG, 66 % LP

Combustible Clearances Always consult the Owner's Manual before beginning any installation. Installation and framing information is available at your local Avalon dealer or on our website at www.avalonfirestyles.com



All measurements are taken from the fireplace face.

- A= To Mantle
- B = To Top Facing
- C = To Sidewall
- D=To Side Facing
- E= Front Hearth
- F = Hearth Width

The Hideaway fireplace requires a 1" minimum clearance from face to side-wall. Combustibles can be installed up to the standoffs on the unit. If a mantle is used please see Owner's Manual for minimum clearances.

The height of the Hideaway fireplace enclosure must be a minimum of 48" above the base of the fireplace.

If placed on a raised hearth, the ceiling above the Hideaway must be at least 57" measured from the base of the fireplace.

- A= 38 1/2"*
- Measured from base of fireplace
- B= 0"
- C= 1"
- D = 0"
- E = None Required
- F = None Required
- * 0 to 12" maximum mantle depth. See Owner's Manual for details.

Tested and Listed by OMNI-Test Laboratories, Inc. to ANSI Z21.88b-2001 "Vented Gas-Fired Direct Fireplace Heater." Must be installed in accordance with all local codes, if any; if not, follow ANSI Z223.1 and the requirements listed in the Owner's Manual.



**Winthrop
TRV**



**Winthrop
See-Thru**



**Winthrop
Home
Heater**

Specifications The dimensions and clearances on this page are for reference only. Refer to the Owner's Manual prior to installation.

38 3/8"
41"
19 3/4" includes 1/2" clearance
8" (Top Vent can be reduced to 6 5/8")
205 lbs.
2 Stage Tube Burner
36" W x 24" H = 864 sq. in.
180 CFM - Optional
Yes - One only

38 1/4"
41"
24"
8" (Top Vent can be reduced to 6 5/8")
310 lbs.
2 Stage Pan Burner
36" W x 24" H x 2 = 1728 sq. in.
130 CFM - Standard
Yes - One

38 3/8"
41"
19 3/4" includes 1/2" clearance
8" (Top Vent can be reduced to 6 5/8")
225 lbs.
Ember-Fyre™
36" W x 24" H = 864 sq. in.
180 CFM - Optional
Yes - One or Two

Performance *Gas appliance performance can be affected by negative pressure in the home and by prevailing atmospheric conditions. Efficiency may vary depending on vent configuration and atmospheric conditions. Contact local building or fire officials about restrictions and installation requirements in your area.

Up to 1,400 Sq. Ft.
31,000 (H) 6,700 (L)
31,000 (H) 5,200 (L)
80% NG, 81% LP
68.3% NG, 69.4% LP

Up to 1,500 Sq. Ft.
37,500 (H) 14,700 (L)
37,500 (H) 10,000 (L)
76.4% NG, 77.5% LP
64% NG, 65% LP

Up to 2,250 Sq. Ft.
40,000 (H) 32,375 (L)
39,000 (H) 26,600 (L)
80.4% NG, 83.4% LP
69.4% NG, 70.8% LP

Combustible Clearances Always consult the Owner's Manual before beginning any installation. Installation and framing information is available at your local Avalon dealer or on our website at www.avalonfirestyles.com

A= 40 3/4"*
Measured from base of fireplace
B= 0"
C= 1"
D = 0"
E = None Required
F = None Required
* Will vary depending on mantle depth. 0 to 12" maximum mantle depth. See Owner's manual for details.

Note: Each face plate design varies in dimension slightly

A= 48 3/4"
Measured from base of fireplace
B= 0"
C= 3 1/4"
D = 0"
E = None Required
F = None Required

A= 41 3/4" to 52 3/4"*
Measured from base of fireplace
B= 0"
C= 1"
D = 0"
E = None Required
F = None Required
* Will vary depending on mantle depth. 0 to 12" maximum mantle depth. See Owner's manual for details.

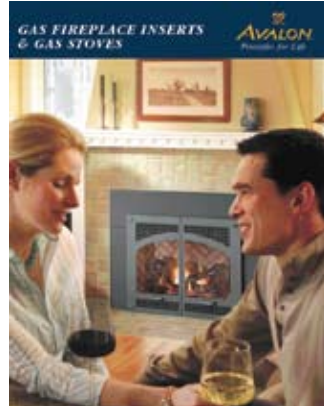
Note: Each face plate design varies in dimension slightly.

Note: Improper installation of your gas appliance or failure to operate it in accordance to the guidelines detailed in the Owner's manual may negate your warranty and endanger your home and family. Installation information is available on our website at www.avalonfirestyles.com. We recommend all Avalon appliances be installed and maintained on an annual basis by your Specialty Hearth Retailer.

All Avalon firestyles are proudly made in the U.S.A.



Wood Burning Catalog



Gas Stoves and Inserts Catalog



Pellet Stoves and Inserts Catalog



Electric Fireplace Catalog

Avalon Wood, Gas, Pellet & Electric Products

With the Avalon product line all the elements come together: architectural styling, innovative technology and dedicated craftsmanship, offering you a dream-fulfilling heating solution for every part of your house. Avalon manufactures steel and cast iron wood burning products, a steel and cast iron gas stove and insert line, a steel and cast iron pellet stove and insert collection and gas and electric fireplaces. We hope our products will bring enjoyment, warmth and many pleasant hours spent in front of an Avalon of your choice.

Avalon Dealers are chosen to present our products because of their commitment to you, the customer. They are trained to provide the best possible sales experience, assist you in selecting the right hearth appliance and provide proper installation to ensure flawless operation. They are truly your local hearth product specialists.


Firestyles for Life

www.avalonfirestyle.com

See the wide range of Avalon products at: