

Gas Fireplace Inserts



fireplace**x**tordinair™



Artisan™ Nickel Face with 4" x 6" rectangular panels and Herringbone fireback.

The Smarter Way To Heat Your Home

Our fireplace inserts are designed to transform virtually any metal or masonry fireplace into an efficient source of heat. Traditional open fireplaces can have efficiency ratings as low as 15% and can actually draw the heat out of your home! Our gas inserts achieve efficiency ratings as high as 86% and may be used as a primary heat source in a mid-sized home.

Smarter Design

Our variety of beautiful faces, choice of surround panels and the optional reversible brick fireback give your fireplace insert a custom appearance that not only updates the style of any room, but makes your fireplace look like it was designed that way from the beginning.

Smarter Technology

Our award-winning Ember-Fyre™ combustion burner system not only delivers efficient heat, but looks great doing it. Our flame design is so realistic, many people mistake it for a real wood fire. Our standard fans circulate heat into the home faster and improve efficiency. Our wall thermostats and remote controls offer the ultimate in convenient operation. And our standing pilot millivolt system means you'll always have heat - even if the power goes out.

Zonal Heating

Unlike a gas furnace that ducts heat to all rooms of your home, you can use your insert for zonal heating and just heat the room you are using. Our wall thermostats and remotes also help you save by maintaining a constant desired temperature, rather than burning fuel when not needed.

Is It A Wood or Gas Fire?

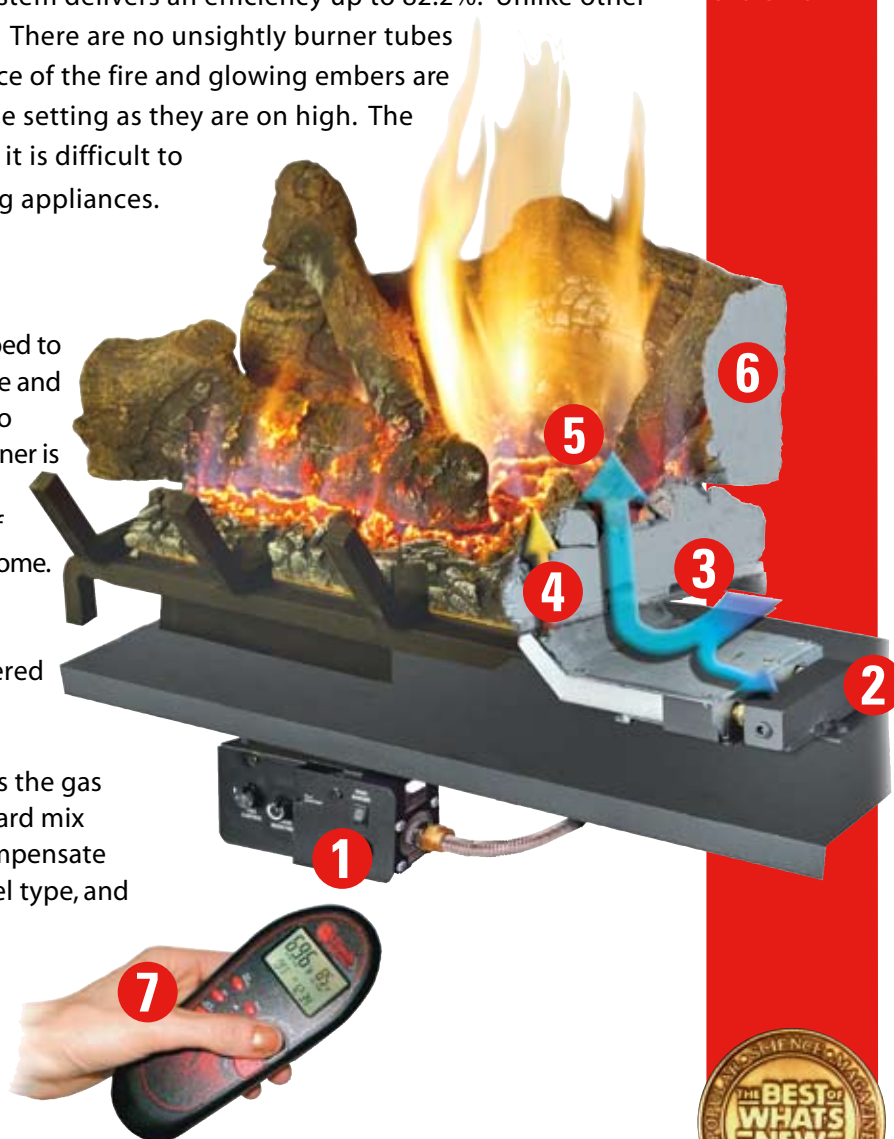
Patented Ember-Fyre™ Burner Technology

U.S. Patented # 6,602,068, 6,443,726 and other patents pending

We feature the patented Ember-Fyre™ burner system in both the 32 DVS and 34 DVL gas fireplace inserts. Popular Science® magazine awarded the prestigious “Best of What’s New” award to the Ember-Fyre as one of the year’s top achievements in Science and Technology. The combustion system delivers an efficiency up to 82.2%. Unlike other gas burners, the pilot is hidden. There are no unsightly burner tubes or metal pans and the appearance of the fire and glowing embers are just as beautiful on the low flame setting as they are on high. The level of realism is so remarkable it is difficult to tell apart from our wood burning appliances.

How It Works

- 1 Natural gas or propane is piped to a sophisticated SIT™ gas valve and started with the reliable Pizeo ignition system. This gas burner is designed to provide reliable, continuous operation even if the power goes out in your home.
- 2 The low-pressure gas then flows to a precisely engineered burner orifice.
- 3 A hidden mixing tube mixes the gas with outside air. (The standard mix is set by the installer to compensate for variations in altitude, fuel type, and line pressure).
- 4 The gas/air mixture flows through a unique array of burner ports in the ceramic base, where it ignites and burns.
- 5 As the Ember-Fyre heats to a deep red 1200° degrees Fahrenheit, it mimics the look of glowing wood embers and charred logs. Dancing yellow flames further enhance the look and feel of a real wood fire.
- 6 The fire passes over the hand-carved logs that are so incredibly detailed, you’ll be amazed they are not wood.
- 7 For hands-free operation the optional remote control or wall thermostat allows you to set and maintain the comfort level of your home.



**Popular
Science**



Classic Arch™ black painted face with arched 8” panels and Herringbone fireback.

The original **Classic Arch™ Faces** are available for both our 32 DVS and 34 DVL gas fireplace inserts. The graceful arch opening that frames the fire viewing area is complemented by a parallel arch face. This combination of curves has a timeless appeal and universal application to a wide range of architectural styles.

The delicate heat exchange grills have the appearance of woven lace, a design departure from the horizontal bars of the average fireplace. The beautiful parallel arch appearance and fine detail of this face have become a unique trademarked characteristic of Fireplace Xtrordinair. Unmatched construction and beauty.

32 DVS Face Dimensions: 30” wide x 22” high

34 DVL Face Dimensions: 34-3/4” wide x 26-1/2” high



Classic Arch Face, shown in black painted finish.



Classic Arch Face, shown in brushed nickel finish.

32 DVS Face 98500506
34 DVL Face 98500512

32 DVS Face 98500501
34 DVL Face 98500511



Detail of the delicate Classic Arch heat exchange



This sitting room features the Metropolitan face in metallic black on a 34 DVL insert and optional firebrick. The customized inside-fit insert panels compliments the beauty of your existing fireplace.



Close-up of the intricate grill design and beveled edge of the Metropolitan.



The **Metropolitan™ Face** may be installed on both the 32 DVS and 34 DVL Fireplace Xtrordinair inserts. This face design features the same beautiful grill work of the Classic Collection, but in a more linear, retro style. The beveled edges of the Metropolitan face also create an intriguing, three-dimensional appearance. Change the look of the black Metropolitan face with any “Stove Bright®” paint color to compliment your decor.

32 DVS Face Dimensions: 30” wide x 22” high

34 DVL Face Dimensions: 34-3/4” wide x 26-1/2” high

Metropolitan face, available in the metallic black paint or brushed nickel plated finish.

Metallic Black Paint

32 DVS Face 98500505

34 DVL Face 98500514

Brushed Nickel Plated

32 DVS Face 95300214

34 DVL Face 95300614



This reading room features the Artisan, in New Iron paint finish, on a 32 DVS fireplace insert and is accented by the arched panels and optional brick fireback.

The **Artisan™ Face** design and craftsmanship are reminiscent of the ironwork found in the Great Lodges of Europe and America. The Artisan face is hand-forged and hammered by master blacksmiths. Each face bears unique, subtle characteristics from the hands of its creator, making it an individual work of art in iron.

A convection chamber, which circulates heated room air around the appliance is concealed by a delicate, forged air intake and hot air return grill. Variations in the hand-forged metal texture will create an infinite variety of firelight reflections, whether you choose New Iron paint, hand-rubbed antique nickel, or the antique copper finish.

32 DVS Face Dimensions: 30" wide x 22" high

34 DVL Face Dimensions: 34-3/4" wide x 26-1/2" high



New Iron painted finish

32 DVS Face 98500507
34 DVL Face 98500630



Antique Nickel plated finish

32 DVS Face 98500509
34 DVL Face 98500632



Antique Copper plated finish

32 DVS Face 98500508
34 DVL Face 98500631



This living room features the French Country Arch Face with optional arched insert panels and optional herringbone brick fireback.

During the Nineteenth Century a design period evolved known as French Country. This was a departure from the more formal French Baroque to a simple, warmer selection of details and materials. Our **French Country™ Face** is a beautiful representation of this design.

The French Country face features a rich, hand-rubbed antique 24 karat gold finish and is available in both rectangular and arched designs. The French Country arch design is also available in black paint finish.

32 DVS Face Dimensions: 29-7/8" wide x 22-3/4" high

34 DVL Face Dimensions: 33-5/8" wide x 27-7/8" high



Rectangular Faces Gold

32 DVS Face 95300200

34 DVL Face 95300600



Arched Faces Black

32 DVS Face 95300206

34 DVL Face 98500602



Arched Faces Gold

32 DVS Face 95300205

34 DVL Face 98500525



This den features the DVL Insert with black painted Architectural double doors with large backing plate, black Accent Trim above the doors and Herringbone Brick Fireback option.

Architectural Double Doors

The DVS/DVL gas insert double door face is intended to cover the most common sizes of fireplace openings, eliminating the need for surround panels. Two sizes of backing plates are available for each insert. The black painted double doors fit either of the backing plates and are available as arched or rectangular shapes.

The double doors may be used by themselves or with the decorative onlays. Matching accent plates are also available for the space above the doors on the large backing plate.

Architectural Double Doors come standard in a Black Painted Finish

Rectangular Double Doors



Black Painted Double Doors

DVS DBL Door Rec.
95300397

DVL DBL Door Rec.
95300798

DVS DBL Door Arch
95300395

DVL DBL Door Arch
95300796

Arched Double Doors



You have the option of adding onlays in three antique plated finishes as shown below.

Rectangular Double Doors



Artisan Onlay in an Antique Nickel Finish

DVS Artisan Onlay Rec.
96300711

DVL Artisan Onlay Rec.
96300711

DVS Artisan Onlay Arch
96300701

DVL Artisan Onlay Arch
96300721

Arched Double Doors



Classic Onlay in an Antique Bronze Finish

DVS Classic Onlay Rec.
96300710

DVL Classic Onlay Rec.
96300730

DVS Classic Onlay Arch
96300700

DVL Classic Onlay Arch
96300720



Arts & Crafts Onlay in an Antique Copper Finish

DVS Arts & Crafts Onlay Rec.
96300712

DVL Arts & Crafts Onlay Rec.
96300732

DVS Arts & Crafts Onlay Arch
96300702

DVL Arts & Crafts Onlay Arch
96300722



Double Door Backing Plates

The Architectural Double doors for the DVS and DVL gas inserts do not use the standard rectangular or arched finish panels shown on page 11. Instead, these faces attach to backing plates that take the place of the panels. This gives the impression that there are no panels on the insert and gives you a true fireplace look. The Backing Plates come in two size to fit almost all fireplace opening. If you require the use of the large backing plate, a decorative Accent trim can be added to give a more finished double door look to your insert. If you require an even larger panel coverage area you can then add one of the standard finish panels to your Backing plate.



Small Backing Plate

DVL Gas Insert shown with the Small Backing Plate. Note how the double doors completely cover the backing plate and gives the impression of a true gas fireplace with out panels showing.

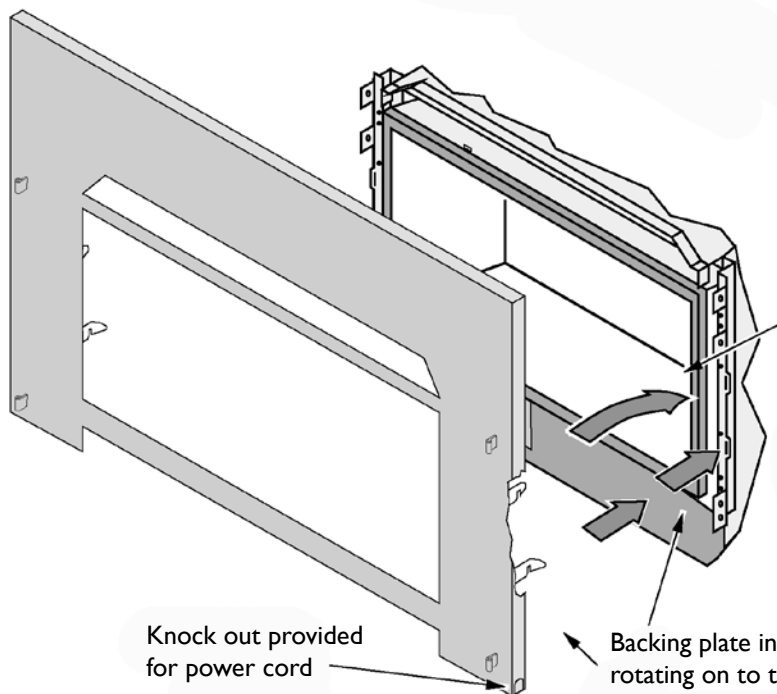


Large Backing Plate

DVS Gas Insert with the Large Backing Plate. Shown Arts & Crafts Arched Onlay in a Antique Copper Finish and the optional matching Accent Plate above the doors.

Double Door Backing Plates Assembly & Parts List

Backing Plates provide you the ability to install your ON/OFF Switch on the side for easy access.



Small Backing Plate Coverage Area

DVS - 23 1/8" H x 37 1/2" W

DVL - 27" H x 40 1/4" W

Backing Plate, DVS Small 95100060

Backing Plate, DVL Small 95100063

Large Backing Plate Coverage Area

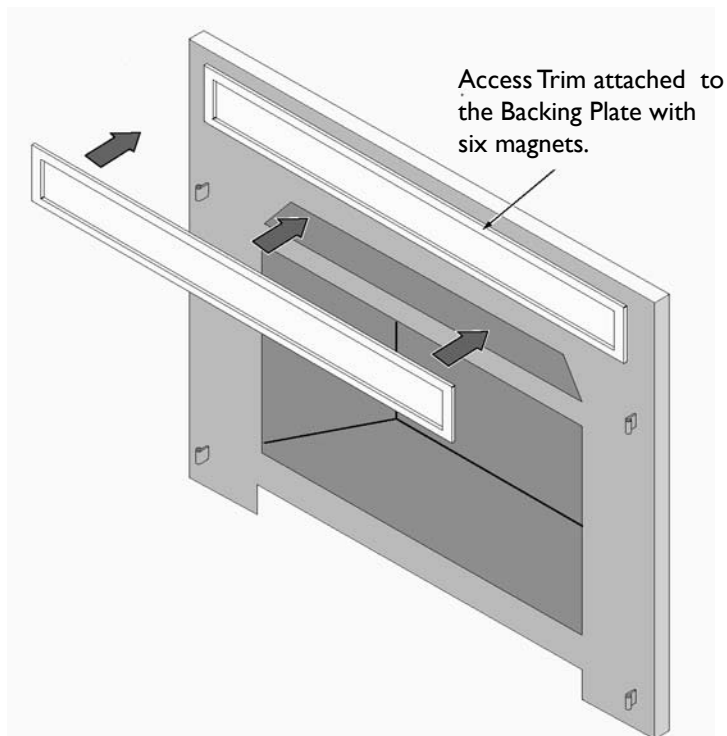
DVS - 29" H x 40 1/4" W

DVL - 33 1/2" H x 44" W

Backing Plate, DVS Large 95100061

Backing Plate, DVL Large 95100066

Accent Trim Plate & Parts List For Large Backing Plates Only



Access Plates is available to match the black painted doors or any of the plated Onlays.

DVS Black Painted 96500931

DVL Black Painted 96500941

DVS Antique Bronze 96500933

DVL Antique Bronze 96500943

DVS Antique Nickel 96500934

DVL Antique Nickel 96500944

DVS Antique Copper 96500935

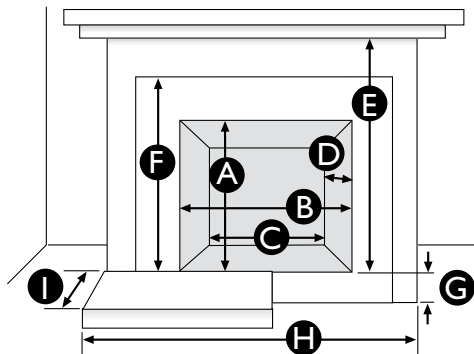
DVL Antique Copper 96500945

Sizing Your Fireplace For An Insert

Before visiting your Fireplace Xtrordinair dealer, answer these helpful questions.

1. What purpose will the fireplace insert fill?
 - a) Zonal or Supplemental Heating
 - OR
 - b) Whole Home Heating
2. What room or rooms (determine square footage) will the insert be used to heat?
3. Do you have natural gas or propane and has it been piped to the fireplace?
4. Is the fireplace of Masonry or Zero Clearance (Metal) construction?

It would be helpful to jot down these basic measurements. Your hearth professional can assess your installation, and help select the correct fireplace insert for your heating needs.



Your Fireplace Measurements

- A = Opening Height _____
- B = Width in Front _____
- C = Width in Back _____
- D = Depth of Fireplace _____
- E = Hearth to Mantle _____
- F = Hearth to Combustible Facing _____
- G = If the fireplace is raised above the hearth, what is the distance from the hearth to the fireplace opening? _____
- H = Width of Hearth _____
- I = Depth of Hearth _____

Finishing Your Fireplace Insert

Insert panels are used to close off the opening of your fireplace when installing a gas insert. Fireplace Xtrordinair offers four choices of panels.



8" x 10" Arched Panel

This option offers the graceful arched upper panel, which adds a desirable element to many installations. To ensure coverage of the fireplace opening, consideration must be made to account for the radius of the top panel.

32 DVS 98500605
34 DVL 98500608



Rectangular Panels

The Rectangular Panel System is available in three sizes and is the most versatile.

32 DVS 4"x 6" 96100300
32 DVS 8"x 10" 96100301
32 DVS 10"x 13" 96100302

34 DVL 4"x 6" 96100320
34 DVL 8"x 10" 96100321
34 DVL 10"x 13" 96100322



Inside-Fit Panels

You can modify (cut-down) the standard rectangular panels to fit the inside opening of your fireplace. This allows you to showcase your original fireplace finish and the fireplace face.



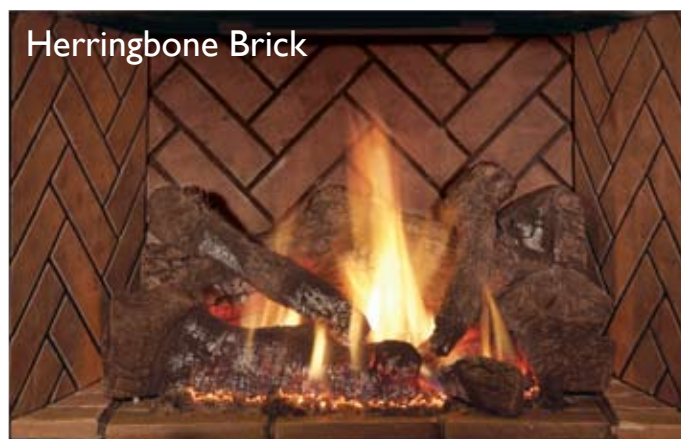
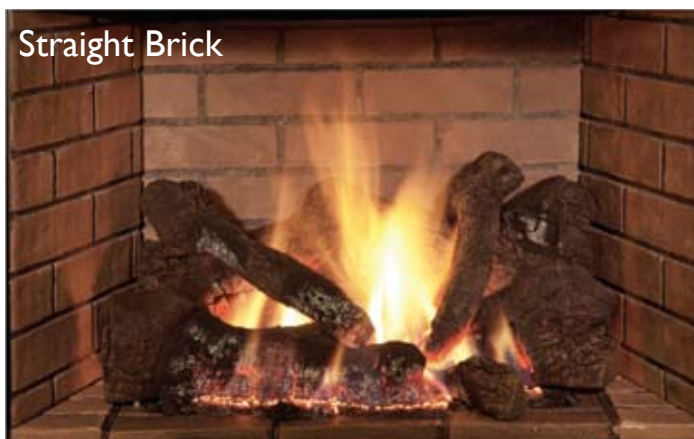
Lower Zero Clearance Panel

Designed to be used with both Rectangular and Arched panel systems, this lower panel offers a finished appearance to your installation when the existing fireplace opening is elevated above the floor. This panel can be cut to size and will cover up to 7" below the insert.

32 DVS & 34 DVL 98500619

● Bottom Panel Only

Optional Enhancements



Reversible Fireback

All inserts feature a standard black interior, or you have the option of adding a realistic ceramic brick fireback that looks like real masonry brick. The firebacks are reversible and offer you the choice of straight brick on one side, or flip it over for the herringbone brick pattern.

32 DVS 96100100

34 DVL 96100150



Accent Light

Add a back light to your gas insert to accent both the logs and the optional brick fireback. The accent light can be operated even when the fire is off to give the fireplace a warm glow, or used as a night-light. The accent light is fully adjustable with rheostat control. 94400110

Wall Thermostat or Remote Control

Fireplace Xtrordinair wall thermostat and remote control options make the operation of your insert as easy as setting the temperature on the wall thermostat, or pushing a button on the remote from the comfort of your living room chair.



99300650

Wall Thermostat

Can be wired up to 25 feet from the appliance and allows you to set the room temperature you wish to maintain in the room.



Remote Controls

Choose from the Standard Remote, which allows for convenient ON/OFF control along with thermostat settings to maintain the comfort level of your insert. Or the Omega™ Modulating Remote, which adds the feature of modulating the flame height, blower speed and accent light. Both remotes also provide timer and child-lock features.

Standard Remote
99300653

Modulating Remote
99300679 NG - 99300678 LP

Installing a Fireplace Insert In a Metal or Masonry Fireplace

1 The first step is determining whether you have a metal (zero clearance) or masonry fireplace. Your Fireplace Xtrordinair Design Center Professional can help if you need it. They will also provide you with your new air intake system and exhaust vent liners. It is important that this work is done by a hearth professional.

2 Next determine which insert is best for your home based on size and your heating requirements. Again, your Design Center Professional can help.

Model 32 DVS - Heating Capacity: Up to 1,500 sq. ft., BTU Input: Up to 31,000 BTUs/Hr.

Model 34 DVL - Heating Capacity: Up to 2,000 sq. ft., BTU Input: Up to 40,000 BTUs/Hr.

3 Choose the correct size and preferred style of insert panel.

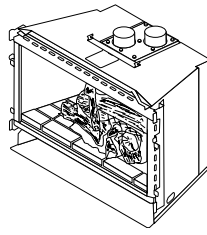
4 Select a face design, optional firebrick, remote or thermostat and you are ready to enjoy your new efficient gas insert by Fireplace Xtrordinair!

If you do not want the fan power cord running across your hearth, consider using the optional Fan Wiring Kit which allows you to hardwire the fan's electrical connection within your existing fireplace.

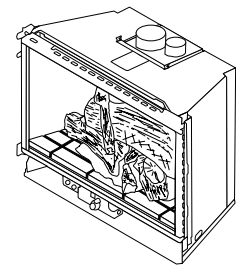




fireplacextordinair™
Fireplace Inserts



32 Direct Vent Small



34 Direct Vent Large

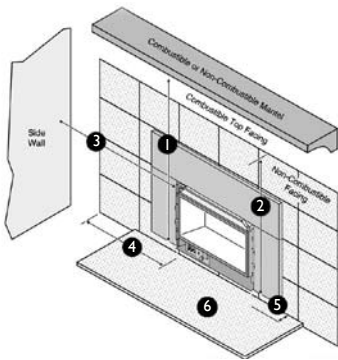
Specifications The dimensions and clearances on this page are for reference only. Refer to the Owner's Manual prior to installation.

Height	19-1/2"	23-3/4"
Width in Front	26-1/2"	31-1/2"
Width in Back	18"	20"
Depth	15-1/8"	14-1/2"
Flex Vent Diameter	3" Exhaust - 3" Air Intake	4" Exhaust - 3" Air Intake
Unit Weight	115 lbs.	135 lbs.
Burner System	Ember-Fyre™	Ember-Fyre™
Glass Area (will vary slightly with face design)	352.5 square inches	518.38 square inches
Powerful Fans	YES - 180 CFM	YES - 180 CFM

Performance *Gas appliance performance can be affected by negative pressure in the home and by prevailing atmospheric conditions. Contact local building or fire officials about restrictions and installation requirements in your area.

Heating Capacity*	Up to 1,500 square feet	Up to 2,000 square feet
BTU Input (NG)	31,000 (high) - 18,600 (low)	40,000 (high) - 20,300 (low)
BTU Input (LP)	31,000 (high) - 16,000 (low)	40,000 (high) - 19,700 (low)
Overall Efficiency* (maximum vent configuration)	85% (NG) 85.5% (LP)	84% (NG) 86% (LP)
Overall Efficiency* (minimum vent configuration)	80% (NG) 80.5% (LP)	79.3% (NG) 81.2% (LP)
AFUE*	72.1% (NG) 73.9% (LP)	71.7% (NG) 73.4% (LP)

Clearances To Combustibles Installation information is available at your local Fireplace Xtrordinair dealer or online at www.fireplace.com



Note:
1 & 2
measured
from floor.

3 & 4
measured
from side
of unit.

1 = Floor to Mantle	35"*	1 = Floor to Mantle	35-1/2"*
2 = Floor to Top Facing	35"	2 = Floor to Top Facing	35-1/2"
3 = Insert to Sidewall	4-1/2"	3 = Insert to Sidewall	4"
4 = Insert to Side Facing	4-1/2"	4 = Insert to Side Facing	4"
5 = Extension onto Hearth	1-1/4"	5 = Extension onto Hearth	1-1/4"
6 = Hearth Not Required 0"		6 = Hearth Not Required 0"	
* maximum 12" mantle depth		* maximum 12" mantle depth	

Panel Sizes Measurements for each panel is for maximum fireplace opening coverage

Arched 8" sides x 10" top	40-3/8" w x 23-1/2" h at side of arch 28-7/8" h at top of arch	44-3/16" w x 28-1/4" h at side of arch 33-3/8" h at top of arch
Rectangular 4" sides x 6" top	37-1/8" w x 25" h	40" w x 29" h
Rectangular 8" sides x 10" top	40-3/8" w x 28-7/8" h	44-3/16" w x 33-3/8" h
Rectangular 10" sides x 13" top (all can be trimmed for inside fit of fireplace opening)	44-3/8" w x 31-7/8" h	48-3/16" w x 36-3/8" h

Testing & Installation Information

Tested and Certified by OMNI-Test Laboratories Inc. to ANSI Z21-88a-2003, applicable sections of UL307b-1995

Note: Improper installation of your gas appliance or failure to operate it in accordance to the guidelines detailed in the Owner's Manual may negate your warranty and endanger your home and family. Installation information is available on our website at www.fireplace.com.

We recommend all Fireplace Xtrordinair appliances be installed and maintained on an annual basis by your Specialty Hearth Retailer.

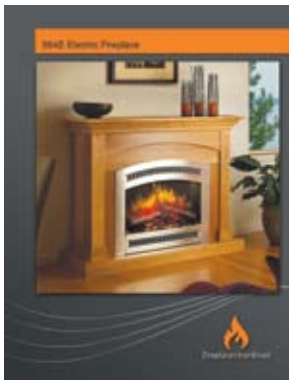


Warranty

Your Gas Fireplace Insert is backed by a network of Specialty Hearth Dealers and certified factory trained Installers. Fireplace Xtrordinair warrants our products to be free from defects in material and workmanship for a period of 7 years from date of purchase. All parts, electronics, and labor are covered for a full 2 years. No other manufacturer's warranty can compare.

Additional Fireplace Xtrordinair Products

If you are in the market for other hearth products, Fireplace Xtrordinair manufactures a full line of wood and gas burning fireplaces, electric fireplaces and wood burning fireplace inserts.



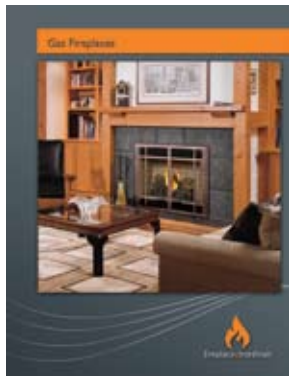
Electric Fireplaces

The Fireplace Xtrordinair 564E Electric Fireplace offers the convenience of adding a fireplace to any room within your home. With no venting required, installation can be completed in as little as one hour. The 564E offers a selection of finish faces to match any home decor.



Clean Face Gas Fireplaces

If you are interested in the latest trend in fireplace design, Fireplace Xtrordinair's Revolution™ Clean Face fireplace offers the look of a traditional open fireplace without grills or louvers. These fireplaces operate with the efficiencies and performance of a gas furnace.



Gas Fireplaces

Fireplace Xtrordinair offers a complete line of heater rated gas fireplaces in both landscape and portrait-style designs. There are Fireplace Xtrordinair gas fireplaces in many sizes and and for every heating need.



Wood Burning Fireplaces

If you prefer heating with wood, Fireplace Xtrordinair also manufactures a line of EPA Certified clean burning fireplaces that feature the remarkable Posi-Pressure complete home heating system.



fireplace**xtrordinair**™

See our complete line of fireplaces
Visit us online: www.fireplacex.com

Photos and illustrations are for descriptive purposes only. We reserve the right to improve or change our products without prior notification. Trademarks belong to Travis Industries, inc. Consult the Owner's Manual for complete installation requirements.
© Copyright T. I. 2008/07 - Printed in the U. S. A.

98800157