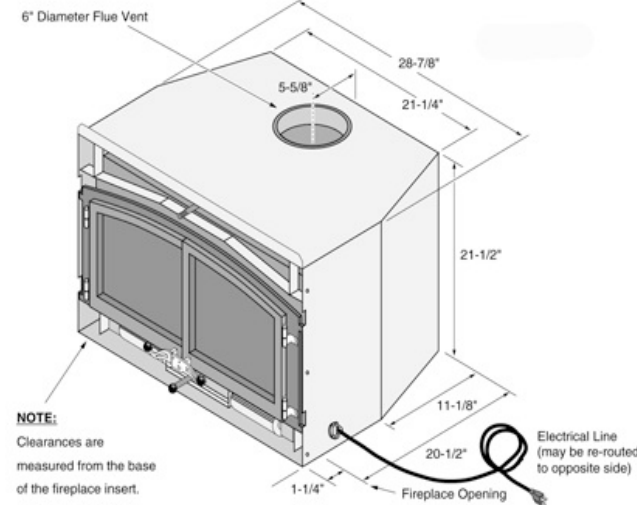


33 ELITE WOOD BURNING FIREPLACE INSERT

33 ELITE WOOD BURNING FIREPLACE INSERT

EPA Phase II Approved 4.1 Grams/Hour	Maximum Btu's Per Hour 73,300	Overall Efficiency 71.1%	Heating Capacity 1,200 to 2,000 Sq. Ft.	Up To 12 Hour Burn Time	Accepts 24" Wood	2.9 Cubic Foot Firebox	Heavy Gauge Plate Steel Construction 5/16" & 1/4"	Heavy-Duty Masonry Lined Firebox & Baffle	180 CFM Convection Blower Standard
---	----------------------------------	-----------------------------	--	-------------------------	------------------	------------------------	--	---	------------------------------------

Dimensions



Installation

We suggest that you have an authorized Fireplace Xtordinaire dealer install your fireplace insert. If you install the fireplace insert yourself, your authorized dealer should review your installation plans.

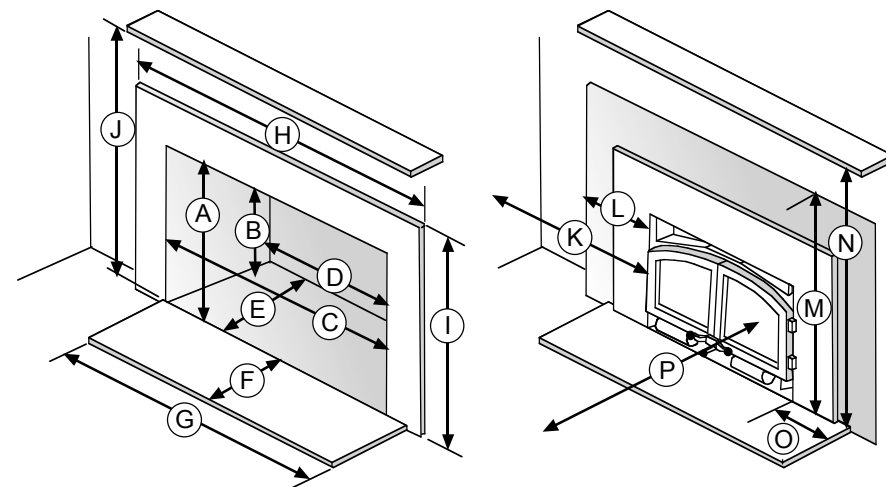
The 33 Elite Wood Insert is designed for installation in masonry fireplaces. Do not install into a factory-built metal (Z.C.) fireplace.

Check with your local building officials for any permits required for installation of this fireplace insert and notify your insurance company before proceeding with installation.

The 33 Elite must be installed with either Positive Flue (full chimney reline) or Direct Connect Flue (See Owner's Manual for details).

Testing

Tested and certified by OMNI-Testing Laboratories Inc.
Report # 028-S-54-2 Safety Tested to U. L. 1482



Minimum Fireplace Size

A - Height (Front)	21 1/2"
B - Height (Rear)	21 1/2"
C - Width (Front)	30 7/8"
D - Width (Rear)	21 1/4"
E - Depth	20 1/2"
F - Hearth Depth	17 1/4"
G - Hearth Width	44 7/8"
H - Facing Width	46 7/8"
I - Facing Height	39"
J - Mantel Height	41 1/2"

Minimum Clearances to Combustibles

K - Sidewall To Insert	9"
L - Side To Facing	9"
M - Top Facing	39"
N - Mantle	41 1/2"
O - Hearth (Side)	8"
P - To Any Room Combustible (i.e. chair, curtains)	36"

Surround Panels

The surround panels are designed to finish off the fireplace opening. Surround panels can also be custom cut to fit the inside dimensions of your fireplace opening.

- 8" Panel Set - Covers 45 1/2" Wide x 29 1/2" Height
- 10" Panel Set - Covers 49 1/2" Wide x 31 1/2" Height
- 12" Panel Set - Covers 53 1/2" Wide x 33 1/2" Height



HEAT WITH THE ELITE

33 Elite Wood Burning Fireplace Insert

The high-performance heat and superior design of this fireplace insert are truly out of the ordinary. Our exclusive flush-to-the fireplace design enhances the beautiful lines of a classic fireplace and provides modern heating efficiency. The huge view of the fire through our large double doors remains clear thanks to our air wash system. The 33 Elite also features a variable speed, high volume blower which can utilize the hard-wiring option kit to preserve the classic good looks of your existing fireplace without a power cord showing on the hearth. Heat a room or a home up to 2,000 square feet with less wood and longer burn times for an elite heating experience.

FIREPLACE XTORDINAIR™
Imagine a Fireplace for Every Room
Visit us online: www.fireplacex.com

FIREPLACE XTORDINAIR™
Imagine a Fireplace for Every Room

33 ELITE WOOD BURNING FIREPLACE INSERT



SHOWN WITH CLASSIC ARCH BLACK PAINTED FACE AND 8" PANELS



Heating With Wood

Heating with wood is one of the oldest and still most efficient ways to heat your home. Wood is a renewable resource, and our clean burning non-catalytic hearth technology is one of the most cost effective and dependable ways to provide warmth to your home and family.

Turn Your Old Inefficient Fireplace Into A Reliable Source of Heat

Burning wood in an open fireplace is just about the most inefficient way to heat your home. In fact, you actually lose more heat up the chimney than you provide for your home.

With the 33 Elite wood fireplace insert, you can convert your wasteful masonry fireplace into a super-efficient heat source that can provide reliable heat at a fraction of the cost of electricity or oil.

Convection Heating

The 33 Elite fireplace insert is designed to deliver the maximum heat from the wood you burn. The 33 Elite uses 1/4" thick plate steel and real masonry firebrick lining in the firebox and baffle to maintain high operating temperatures. This not only allows for a very clean burn, but also remarkable heat transfer.

This heat is evenly distributed throughout your home using a five-sided convection chamber and the standard 180 CFM convection fan. The 33 Elite is designed to provide heat for as long as 12 hours on a single load of wood and heat up to 2,000 square feet.

33 Elite Face Options

You have the choice of arched black painted or hand-hammered Artisan faces. Beautiful antique nickel Arts & Crafts and antique gold French Country grill designs are available as an upgrade to both face designs.



Classic Arch Black Painted Face



Artisan Hand-Hammered Face



Classic Arch Black painted face with optional Arts & Crafts antique nickel grills



Classic Arch Black painted face with optional French Country antique gold grills

Unmatched Performance and Ease of Use

Manage combustion air flow with only one control for maximum ease of use. The draft by-pass damper ensures quick fire start-up and smokeless refueling. Our blower rheostat location on the side of the panel trim is convenient and unobtrusive. The incredible air wash design keeps the glass doors clean. This clean burning non-catalytic insert boasts 71% efficiency and an EPA certified 4.1 grams per hour. The five-sided convection chamber delivers maximum heat output and can comfortably heat 1,200 to 2,000 square feet.

Premium Quality and Long Lasting Value

The heavy gauge steel, unibody firebox, stainless steel baffle and air tubes add durability and longevity. The variable speed high-volume 180 CFM blower system also comes standard.

 **FIREPLACE
XTORDINAIR™**
Imagine a Fireplace for Every Room