



Winthrop ST (864 ST) Enamel Fireback Installation Instructions (sku 96100185)

Packing List

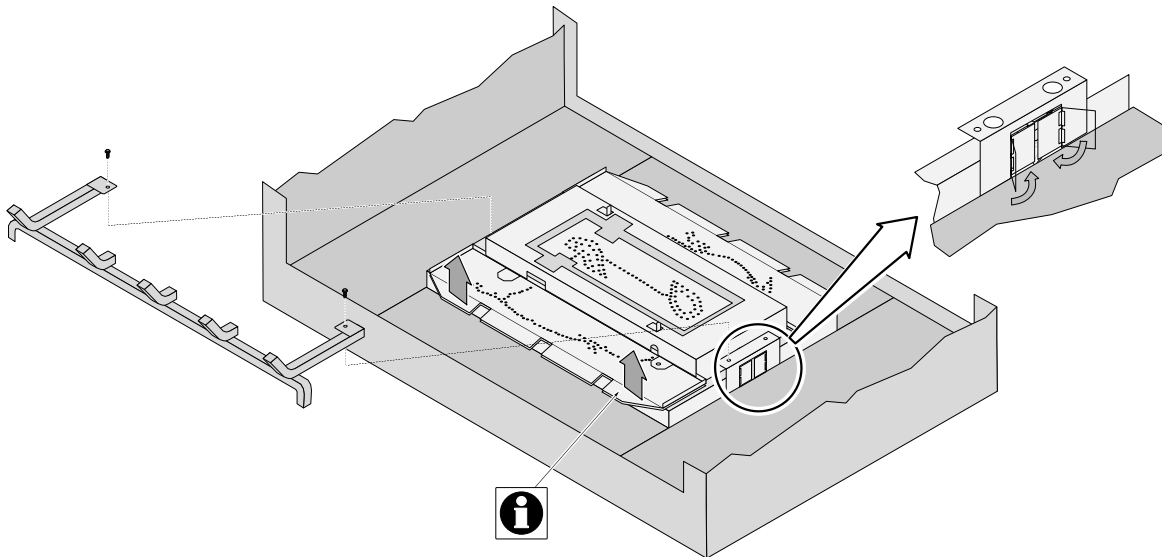
- (4) Floor Firebacks
- (2) Side Firebacks

Installation

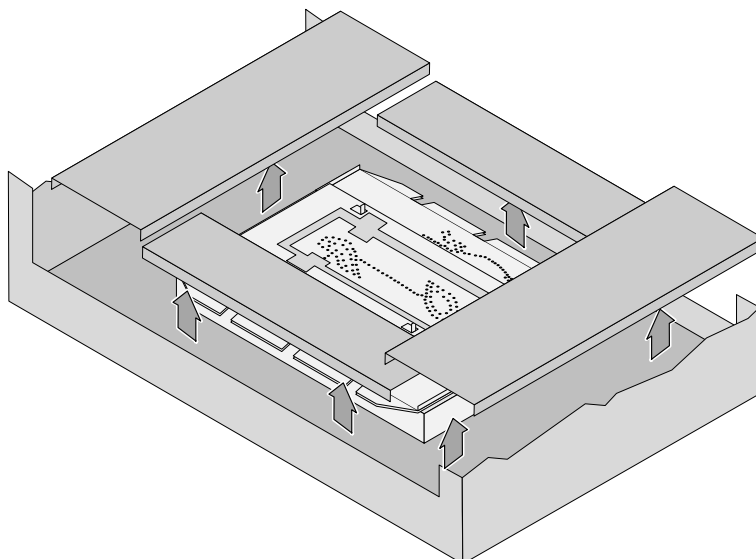
WARNING:

Turn off gas to the appliance and make sure it has fully cooled prior to conducting service.

- 1 Remove the glass frame and logs.
- 2 Remove the front and rear grates (NOTE: lift the burner slightly to remove the grate - see illustration below).
NOTE: If the accent light deflectors have been bent, carefully bend the accent light deflectors inwards on both sides (NOTE: do not over-bend these deflectors, they will break off if over-bent).



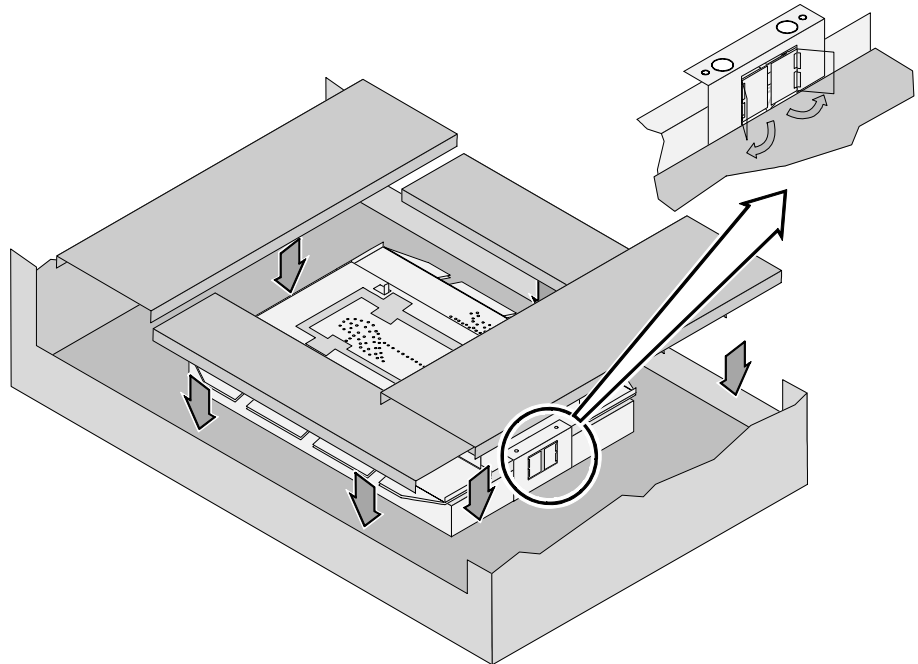
- 3 Remove and discard the steel ember trays.





Winthrop ST (864 ST) Enamel Fireback Installation Instructions (sku 96100185)

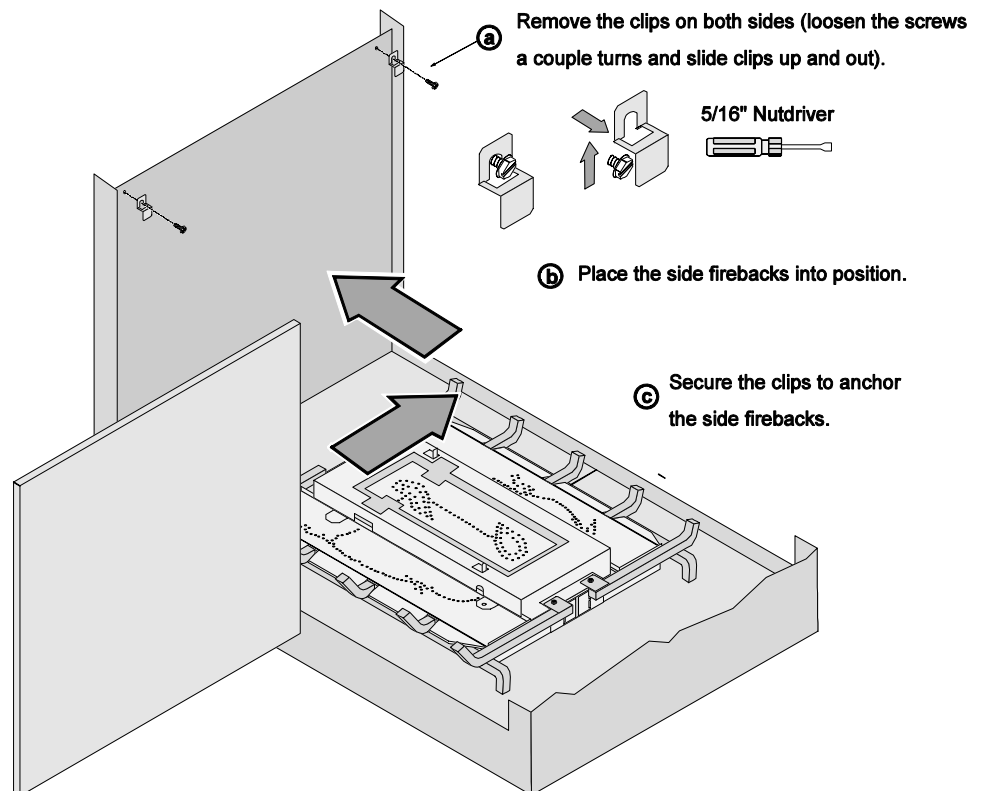
- 4 Carefully place the floor firebacks into position. You must tip them under and around the corners of the burner. Once in place, bend the accent light deflectors back to the correct position (take care to not damage the halogen bulbs).



- 5 Carefully replace the front and rear grates (they rest on top of the floor firebacks).

- 6 Install the side firebacks following the directions below.

- 7 Restore the fireplace to the correct configuration.



Cleaning

We recommend cleaning the enamel surface with glass cleaner and a soft cloth.