

# Illuminations Electric Fireplaces™



fireplace**x**tordinair™  
REDISCOVER FIRE





*Model 4915E shown with Frosted Sleeves*



**2008 VESTA winner for BEST NEW ELECTRIC FIREPLACE.** The Illuminations Electric Fireplace is a breakthrough product that features an eclectic fusion of materials – colored glass, mined calcite stone, natural beeswax or frosted sleeves, mixed with patented technology that fools the eye into thinking you have a beautiful fireplace decorated with real burning candles. However, it is neither a real fireplace nor real candles; it is the

Illuminations Electric Fireplace by Fireplace Xtordinair.

The energy efficient 1.5 watt LED bulbs produce a soothing candle-like flame that appears to gently bend and flicker to an invisible draft. This movement is created through a patented device that creates a magnetic impulse causing the “flame” to move independently of the other “candles” in the fireplace. The contoured shape and featured coloration of the flame appears as an almost perfect imitation of a real candle.

There are two fireplace models available, arched or landscape. Both can be either single sided units or see-through versions allowing for endless installation possibilities. Add light and ambiance to any room of your home, wine cellar, bedrooms, bathrooms, foyer, office, and room divider to name just a few ideas.





*Model 1924E shown with custom painted trim, Wax Candles and Travertine Stone Ceramic Liner*



# Illuminations Electric Fireplace™ Model 1924E Portrait-Style

The **Arched Portrait-Style Model 1924E** features a black interior standard or the choice of three optional interior liners.

## Features

- Three candles, you choose the sleeve option.
- Three optional liners, allows you to customize the interior.
- One button remote control or wall switch for on/off convenience.
- Choice of crushed platinum, bronze or cobalt glass to add sparkle and depth to the fireplace floor.
- No heat, no fire, no smoke, no smell and no venting required, extremely safe.
- The 1.5 watt LED bulbs used in our candles use less energy, produce less heat and last longer than incandescent bulbs.
- Relatively no maintenance as the glass front(s) protect the candles from curious fingers and helps reduce dust accumulation.
- The glass is easy to remove to clean or to decorate and change for the season, or your changing mood.



*Shown with Beeswax Candle and Travertine Stone Liner*

## Designer Sleeve Options

Finish your Illuminations Electric Fireplace with your choice of sleeves.



*Frosted Sleeves*



*Beeswax Candles*



*Cut and Polished Calcite Stones*

## Designer Interior Options

Beside the standard black interior, you can choose from one of three designer interiors



*Beehive Brick*



*Travertine Stone*



*Almond Cast Shell*

## Custom Mantels

The fireplace may be framed and installed flush to the drywall or trimmed with decorative tile or marble surround. You also have a choice of mantels custom designed for the 1924E Arched Portrait model. Ask your Fireplace Xtordinaire dealer or visit [www.jchuffman.com](http://www.jchuffman.com) for options.



*Albany™ Mantel with Calcite Sleeve options*



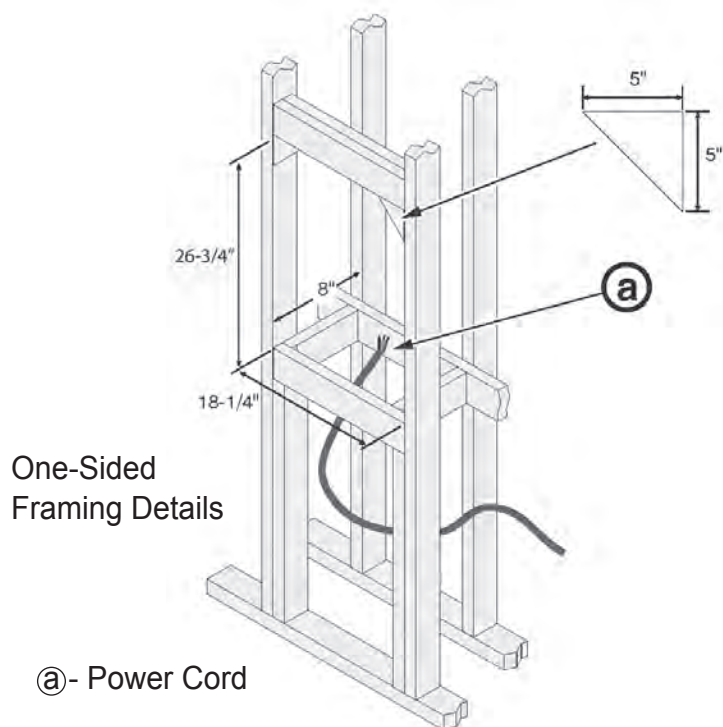
*Hartford™ Corner Mantel with Bees Wax Candle option*



*Salem™ Mantel with Frosted Sleeve option*

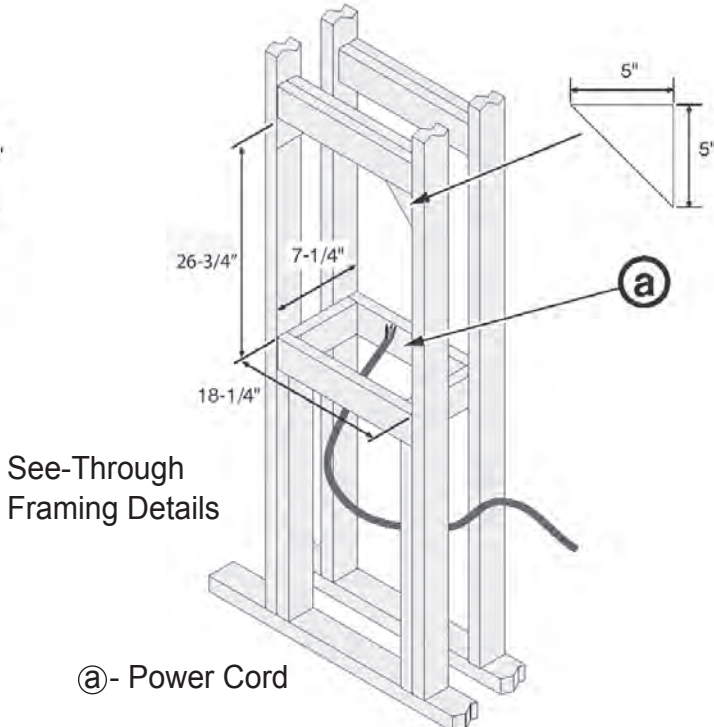
## Installation

- The model 1924E Illuminations Electric fireplace is designed to fit into an 8" deep wall.
- Portrait-style fireplace model 1924E, can be converted from one sided to a see-through.
- 19" wide x 24 1/8" high x 8 1/2" deep
- Zero-clearance to all combustibles.
- Combustible facing, such as wall paper, sheet rock or wood can be installed right up to the edge of the firebox.
- Listed to UL 65, CSA 22.2 #12, and CSA 22.2 # 250



One-Sided Framing Details

@- Power Cord



See-Through Framing Details

@- Power Cord



## Model 4915E Landscape

The 4915E model comes standard with a mirrored surface on the sides and back that endlessly reflect the light of the eleven candles. It may also be installed with a matte black finish to suit a different décor or converted to a see-through fireplace for a stunning multi-room presentation. The floor can be finished off with the platinum glass provided, or you may choose your own material for a completely custom look.



*Shown with mirrored interior  
and Calcite Stone*

### Features

- 11 candles, you choose the sleeve option.
- One button remote control or wall switch for on/off convenience.
- Choice of crushed platinum, bronze or cobalt glass to add sparkle and depth to the fireplace floor.
- No heat, no fire, no smoke, no smell and no venting required, extremely safe.
- The 1.5 watt LED bulbs used in our candles use less energy, produce less heat and last longer than incandescent bulbs.
- Relatively no maintenance as the glass front(s) protect the candles from curious fingers and helps reduce dust from accumulating.
- The glass is easy to remove to clean or to decorate and change for the season or your changing moods.

### Designer Sleeve Options

You will have the option of choosing three distinct sleeves to surround and finish the candle effect.



*Frosted Sleeves*



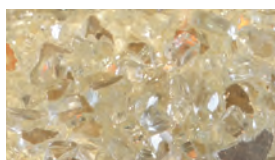
*Beeswax Candles*



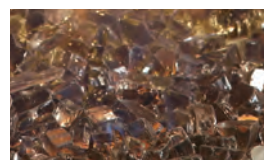
*Cut and Polished Calcite Stones*

## Glass Media

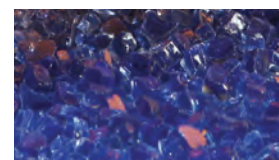
Finish off the floor of your Illuminations with your choice of crushed glass media. Available in platinum, bronze or cobalt blue glass.



Platinum



Bronze



Cobalt

## Custom Mantels

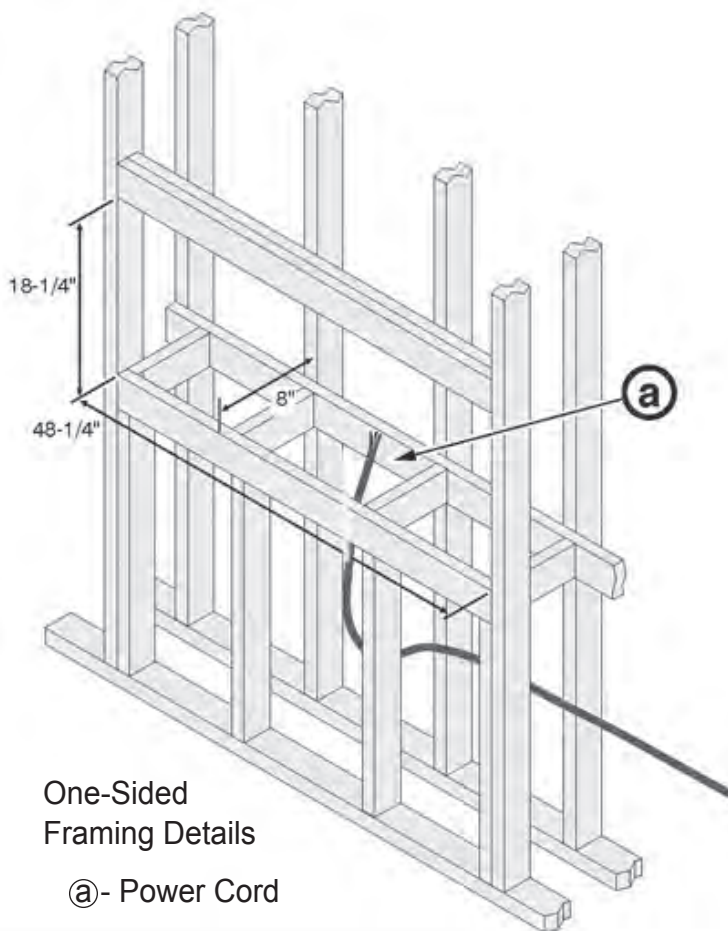
The units may be framed and installed flush to the drywall and trimmed with decorative tile or marble surrounds. You also have a choice of mantels custom designed for the 4915E landscape model. Ask your Fireplace Xtrordinair dealer or visit [www.jchuffman.com](http://www.jchuffman.com) for options.



Whitmore™ Mantel

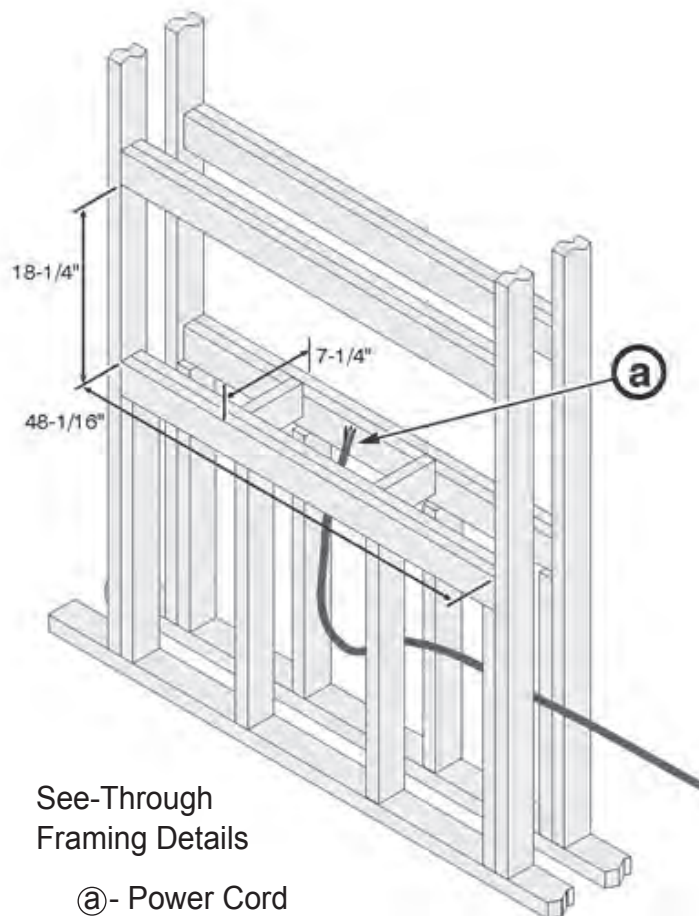
## Installation

- The model 4915E Illuminations Electric fireplace is designed to easily be built into an 8" deep wall.
- Can be converted from being one sided to a see-through.
- 49" wide x 18 1/4" high x 8 1/4" deep
- Zero-clearance to all combustibles.
- Combustible facing, such as wall paper, sheet rock or wood can be installed right up to the edge of the firebox.
- Listed to UL 65, CSA 22.2 #12, and CSA 22.2 # 250



One-Sided Framing Details

Ⓐ- Power Cord



See-Through Framing Details

Ⓐ- Power Cord

## Warranty

Your electric fireplace is backed by a network of Specialty Hearth Dealers and certified factory trained installers. Fireplace Xtrordinair warrants our products to be free from defects in material and workmanship for a period of five years from date of purchase. All electronics components except light bulbs, and labor are covered for a full two years. No other manufacturer stands behind their products like Fireplace Xtrordinair.

## Additional Fireplace Xtrordinair Products

If you are in the market for other hearth products, Fireplace Xtrordinair manufactures a full line-up of wood, gas and electric fireplaces and wood and gas fireplace inserts.



### Electric Fireplaces

Fireplace Xtrordinair 564E Electric Fireplace offers the convenience of adding a fireplace to any room within your home. With no venting required, installation can be completed in as little as one hour. The 564E offers a selection of faces to match any home decor.



### Gas Fireplaces

If you are interested in the latest trend in fireplace design, Fireplace Xtrordinair's lineup of gas fireplaces offers both "Designer" fireplaces with a large assortment of faces or "Clean Face" fireplaces without grills or louvers. Our heater-rated fireplaces operate with the efficiencies and performance of a gas furnace.



### Fireplace Inserts (Wood or Gas)

Turn your old, open masonry or metal (zero clearance) fireplace into a clean, efficient source of heat for your home. Fireplace Xtrordinair offers a complete line of heater rated wood and gas inserts to fit virtually any existing fireplace.



### Wood Burning Fireplaces

If you prefer heating with wood, Fireplace Xtrordinair also manufactures a line of EPA Certified clean burning fireplaces that feature the remarkable Posi-Pressure complete home heating system.



See our complete line of fireplaces  
Visit us online: [www.fireplacex.com](http://www.fireplacex.com)

Photos and illustrations are for descriptive purposes only. We reserve the right to improve or change our products without prior notification. Trademarks belong to Travis Industries, inc. Consult the Owner's Manual for complete installation requirements.  
© Copyright T.I. 2010/05 - Printed in the U.S.A.

98800279