



DAVE LENNOX  
*signature*  
COLLECTION

Home Comfort Systems



## XC15

The quietest central air conditioner you can buy\*

Compatible with the exclusive Humiditrol® whole-home dehumidification system—indoor air quality you can feel



HOME COMFORT SYSTEMS  
*Innovation never felt so good.™*

# Dave Lennox Signature® Collection XC15 Air Conditioner

Innovation never felt so good.™

Patented SilentComfort™ technology provides smooth, quiet cooling

Efficient design can result in significant energy savings

Ozone-responsible R410A meets the EPA's (Environmental Protection Agency) most stringent environmental guidelines

Lennox® System Operations Monitor reviews system performance for additional peace of mind and faster, easier servicing

Compatible with the exclusive Humiditrol® whole-home dehumidification system

ENERGY STAR® qualified

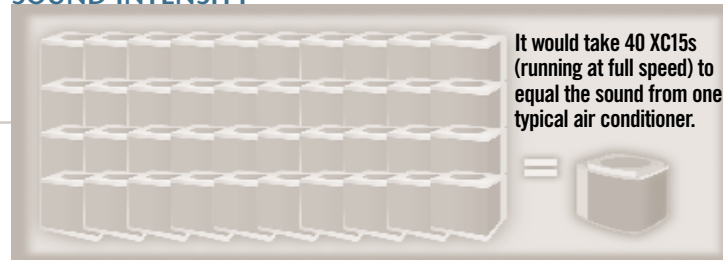
## THE QUIETEST CENTRAL AIR CONDITIONER YOU CAN BUY\*

The XC15 not only provides peace and quiet—it also offers peace of mind.

The exclusive Lennox® System Operations Monitor continually monitors system performance, helping technicians solve problems faster and more accurately.

And, like all Lennox products, the XC15 is built to deliver exceptional reliability with a promise of quality you can count on year after year.

## SOUND INTENSITY

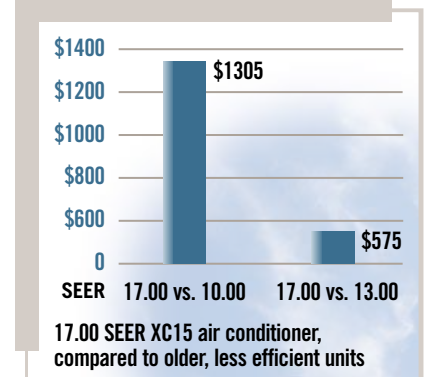


Note: Manufacturers' public ratings. Typical 80 dB air conditioner/heat pump vs XC15-024 or 030.

## Efficient Can save hundreds of dollars each year on utility bills

The XC15 air conditioner provides cooling efficiencies of up to 17.00 SEER. The higher the efficiency rating, the higher your energy savings. In the case of the XC15, those savings can translate to hundreds of dollars over five years.

## 5-YEAR COOLING SAVINGS



This chart compares the 5-year savings you can expect from an XC15 air conditioner vs. units with lower efficiency ratings. The regions used to calculate household fuel and utility costs reflect a cross-section of cities in the U.S. using 2006 Department of Energy national average energy rates. In addition to geography, cooling costs are based on 3-ton capacity specification, with 1,600 cooling hours per year. Your actual costs will vary depending on the weather, local fuel rates, systems settings and your personal lifestyle.

## EFFICIENCY RATING

Up to 17.00 SEER (Seasonal Energy Efficiency Ratio).

## WARRANTY\*\*

10-year limited warranty on the compressor and all remaining covered components.

\*\*Applies to residential applications only. See actual warranty certificate for details.

## Customizable

### Compatible with the new Humiditrol® whole-home dehumidification system

The XC15 gives you the flexibility to choose a Humiditrol® whole-home dehumidification system for improved comfort and indoor air quality.

The Humiditrol system uses patented technology to provide a level of humidity control never before available.

\*Air conditioners/heat pumps have sound ratings established per ARI's test standard: ARI 270. Size for size, as a product family, these air conditioners have the lowest published sound ratings of any major U.S. brand of air conditioning/heat pump equipment.



## OUTSTANDING FEATURES FOR EXCEPTIONAL COMFORT AND EFFICIENCY

**SilentComfort™ Fan Grill** –  
Uses patent-pending vortex-suppression technology to reduce sound of airflow exiting unit.

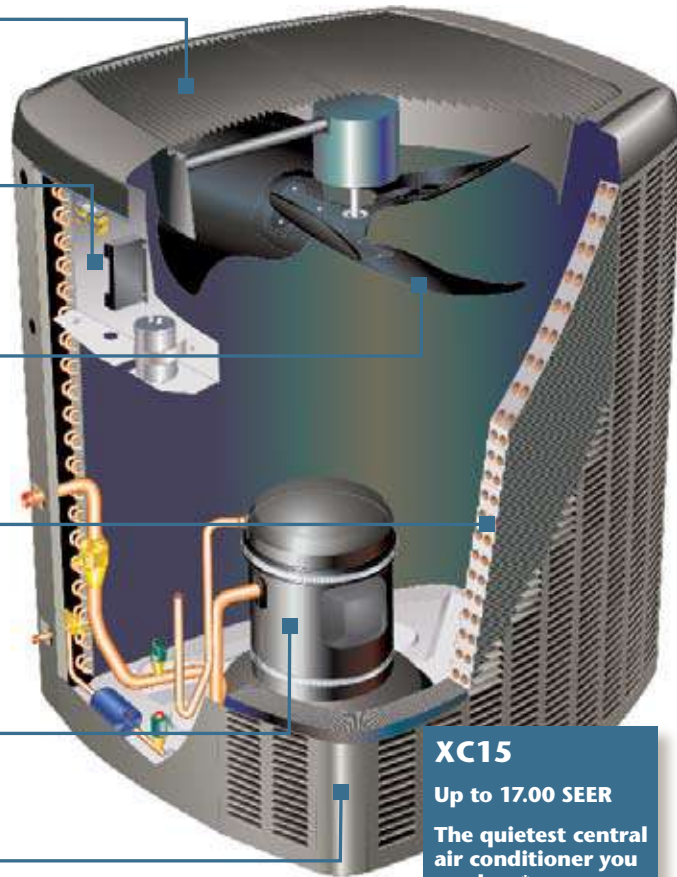
**Factory-Installed Lennox® System Operations Monitor** – Continually reviews system performance to allow fast troubleshooting.

**Precision-Balanced, Direct-Drive Fan** –  
Delivers ultra-quiet operation with a patent-pending fan design.

**High-Efficiency Outdoor Coil** –  
Provides exceptional heat transfer and low air resistance for high-efficiency operation.

**Dependable Scroll Compressor with SilentComfort™ Technology** –  
Provides smooth, efficient and reliable operation.

**Durable Steel Cabinet** –  
Made to last with superior high-quality, pre-painted steel and textured finish. Tested to withstand the harshest environments.



**XC15**  
Up to 17.00 SEER  
The quietest central air conditioner you can buy.\*  
ENERGY STAR® qualified

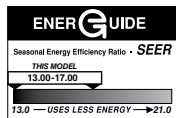


*Quality you can trust.*  
Constructed of heavy-gauge, pre-painted steel and tested in the most extreme environments to ensure maximum durability.

### Dave Lennox Signature® Collection XC15 Specifications

XC15	024	030	036	042	048	060
SEER	Up to 17.00	Up to 15.70	Up to 16.00	Up to 14.70	Up to 15.50	Up to 14.00
Sound Rating-dB	64	65	68	68	70	70
Dimensions HxWxD (in.)	37 x 35-1/2 x 39-1/2	37 x 35-1/2 x 39-1/2	37 x 35-1/2 x 39-1/2	37 x 35-1/2 x 39-1/2	47 x 35-1/2 x 39-1/2	47 x 35-1/2 x 39-1/2
HxWxD (mm)	940 x 902 x 1003	940 x 902 x 1003	940 x 902 x 1003	940 x 902 x 1003	1194 x 902 x 1003	1194 x 902 x 1003

*Note: Due to Lennox' ongoing commitment to quality, all specifications, ratings and dimensions are subject to change without notice.*



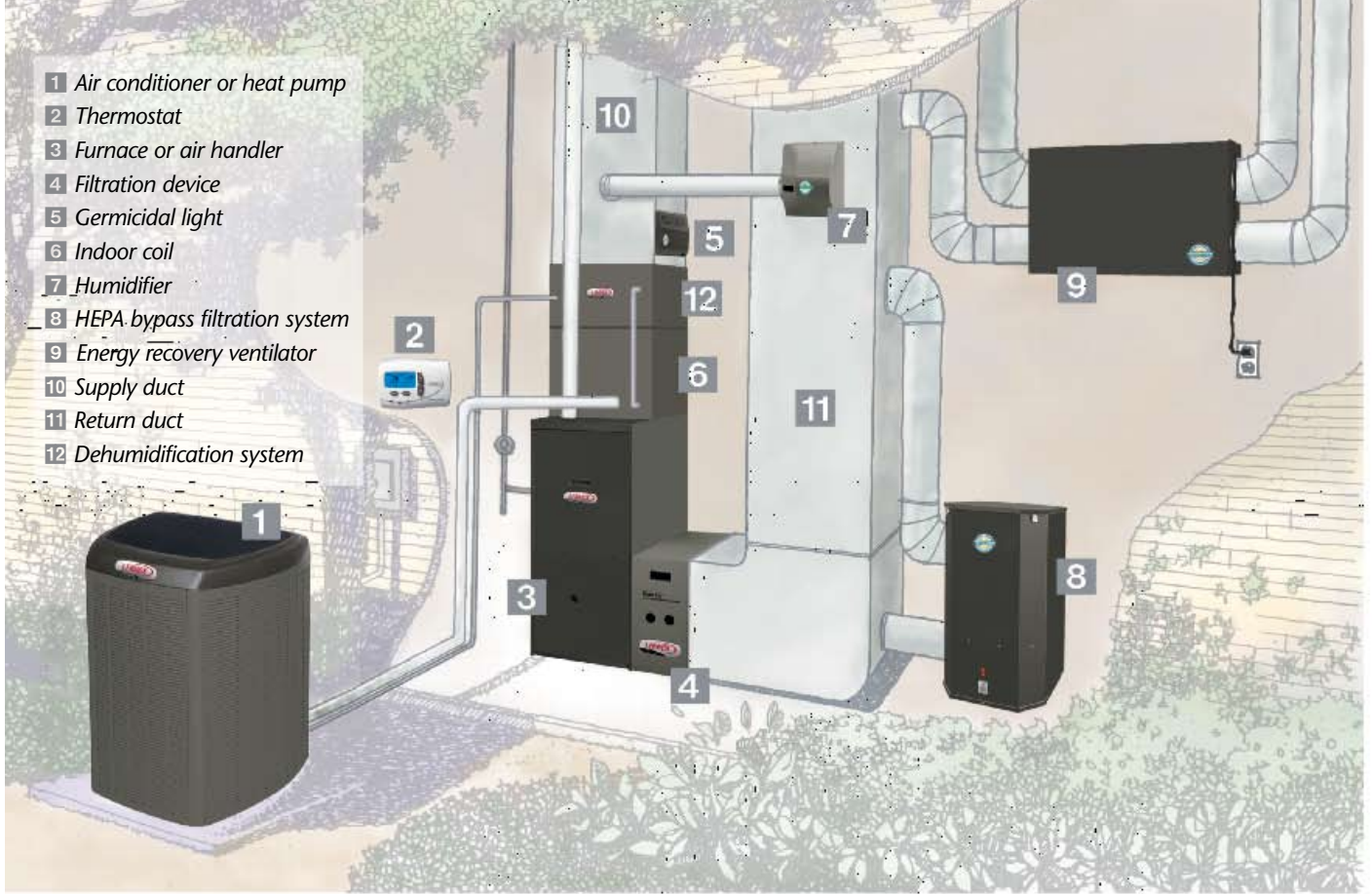
Proper sizing and installation of equipment is critical to achieve optimal performance. Split system air conditioners and heat pumps must be matched with appropriate coil components to meet ENERGY STAR® criteria. Ask your Lennox dealer for details, or visit [www.energystar.gov](http://www.energystar.gov).



Lennox is proud of the fact that these products have earned the Good Housekeeping Seal.







## CUSTOMIZE YOUR COMFORT

Lennox® heating, cooling and Healthy Climate® indoor air quality products are designed to provide efficient, economical comfort—not only as individual units, but also together as an integrated system. This combined network of products delivers on every comfort count, from consistent temperatures and balanced humidity to improved indoor air quality.

## DEALERS YOU CAN COUNT ON

Choosing the right dealer for your home's heating, cooling and air quality needs is every bit as important as choosing the right brand. We think you'll agree our independent dealers are a big reason you can count on quality customer service whenever you call. Your Lennox dealer's dedication to quality shows in his knowledge, training and expertise in designing the right system for your home, installing it properly and keeping it running perfectly for many years to come.

**LENNOX**

HOME COMFORT SYSTEMS  
*Innovation never felt so good.™*

© Lennox Industries Inc. 2005

Visit us at [www.lennox.com](http://www.lennox.com), or contact us at 1-800-9-LENNOX.