

Panel Set, Avalon

CHECK CONDITION OF SHIPMENT

Upon receipt of this kit, check the condition of the packaging. Damage to the package should be noted on the carrier's freight receipt. Any damage claims as a result of shipping must be handled through the shipper. Travis Industries will provide assistance in resolving shipping claims or replacing items not included in the package. Please report any missing items immediately.

COMPATIBILITY

- Avalon Pendleton
- Avalon Rainier
- Avalon Olympic

ITEMS NEEDED FOR ASSEMBLY

- 5/16" and 3/8" Nutdriver
- Small & Large Standard Screwdriver
- Drill with 11/64" Bit

PACKING LIST

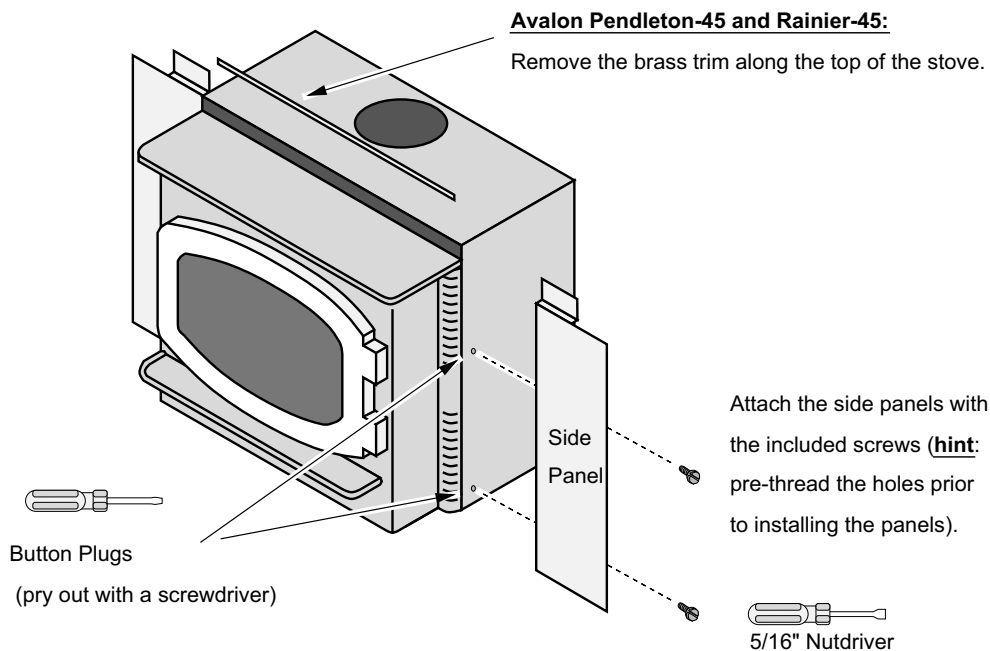
- Top Panel
- Two Side Panels
- Trim (& hardware)
- (4) 10-24 Type F Thread-Cutting Screws
- 7 Spring Clips

PANEL SIZING and PART NUMBERS

| Model | Size | Size Installed (including trim) | Black Trim |
|---------------------|------|---------------------------------|------------|
| Pendleton (745/790) | 8" | 39 7/8" wide by 28" high | 99300300 |
| Pendleton (745/790) | 10" | 43 7/8" wide by 30" high | 99300301 |
| Pendleton (745/790) | 12" | 47 7/8" wide by 32" high | 99300302 |
| Rainier (945/990) | 8" | 41 3/4" wide by 28 7/8" high | 99300306 |
| Rainier (945/990) | 10" | 45 3/4" wide by 30 7/8" high | 99300307 |
| Rainier (945/990) | 12" | 49 3/4" wide by 32 7/8" high | 99300308 |
| Olympic (1190) | 8" | 45 1/4" wide by 28 7/8" high | 99300312 |
| Olympic (1190) | 10" | 49 1/4" wide by 30 7/8" high | 99300313 |
| Olympic (1190) | 12" | 53 1/4" wide by 32 7/8" high | 99300314 |

INSTALLATION INSTRUCTIONS

1. With the insert 12" from the fireplace, install the side surround panels (see the directions below).



Panel Set, Avalon

2. Adjust the position of the side panels so they are: 1) flush with the bottom of the insert; 2) both the same distance back from the front of the insert; 3) perpendicular to the floor (use the top panel, if necessary, to judge alignment). Tighten the screws that hold the side panels in place.
3. Place the insert into the fireplace and connect the flue (if using a positive or direct connection). Install the top panel and trim following the directions below.

