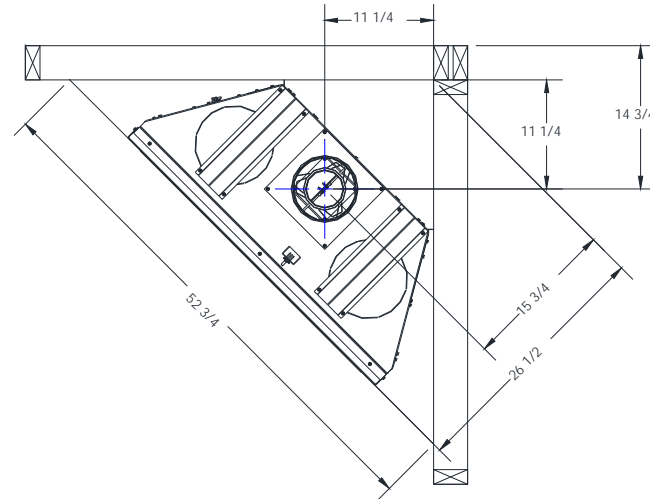
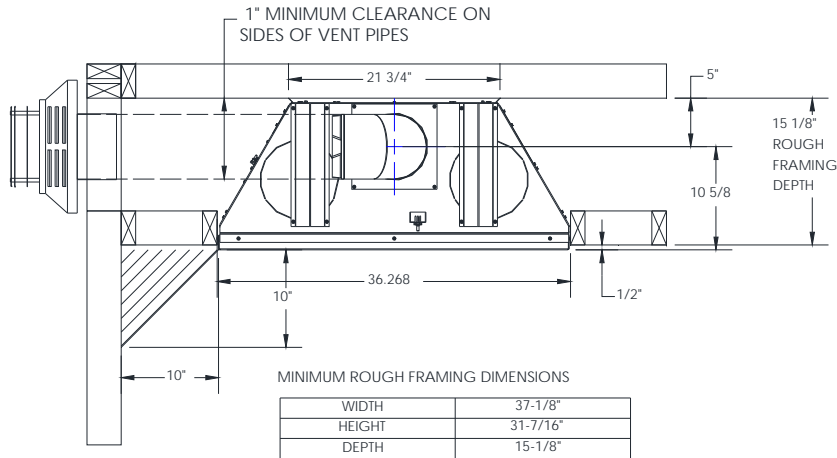


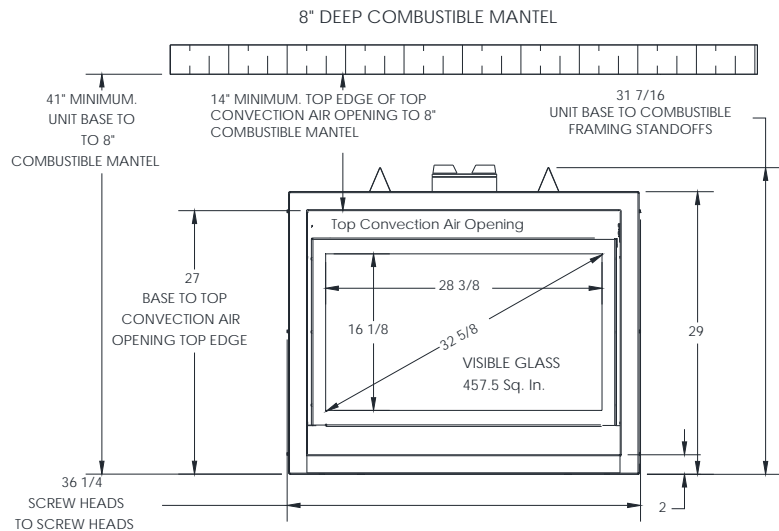
# MENDOTA DXV-35 GAS DIRECT VENT FIREPLACE

USE ONLY DURAVENT 4" X 6-5/8" COAXIAL PIPES AND VENTING COMPONENTS.

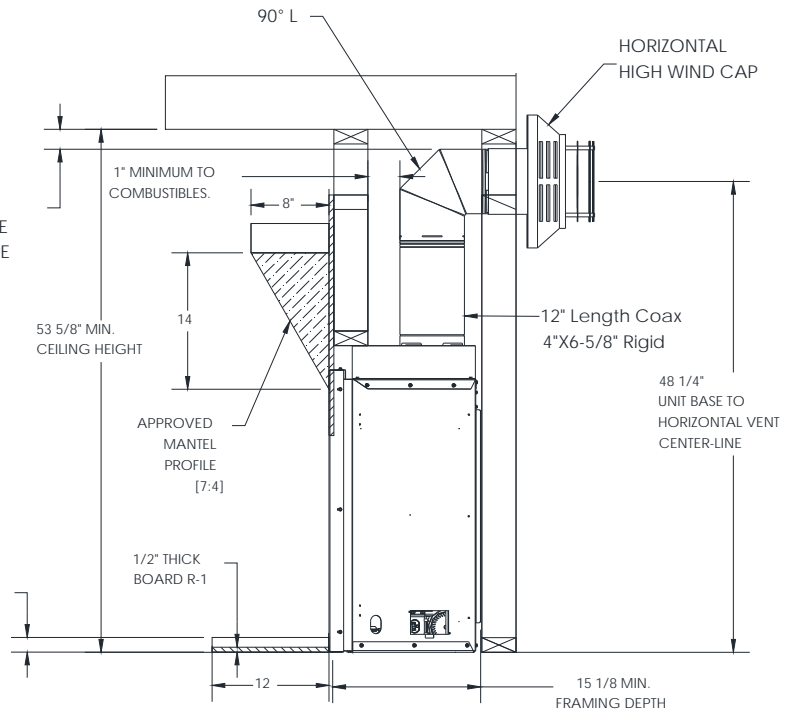
**WARNING:** Do not cover the 2" faceplate border of the unit with combustible materials.



A wall, Perpendicular and in front of this appliance's glass door face must be at least 12" away from the side edges of the glass frame. A wall at 45° angle to the front face and starting at the side edge of this appliance is allowed. Projections behind this 45° angle edge (shaded area) are allowed.



2" CLEARANCE MINIMUM ABOVE HORIZONTAL PIPE RUNS, ALWAYS.

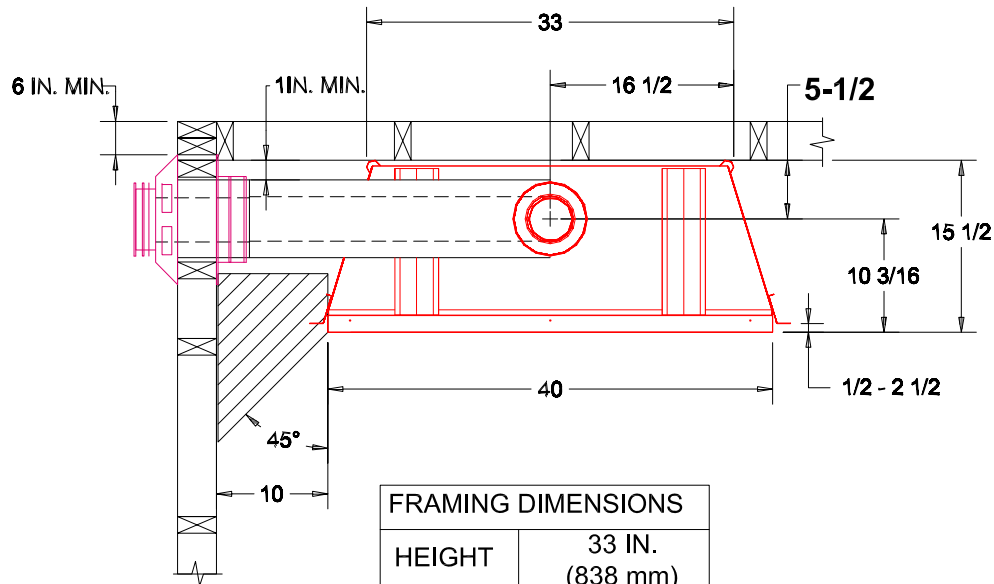


IF MANTEL IS CONSTRUCTED OF NON-COMBUSTIBLE MATERIALS, IT MAY BE PLACED AT ANY DISTANCE ABOVE THE TOP CONVECTION AIR OPENING. CAUTION: MATERIALS MADE OF POROUS STONES OR SEDIMENTARY ROCKS MAY CRACK DUE TO EXPANSION OF THE MATERIAL IF PLACED AROUND THIS APPLIANCE. USE SUITABLE MATERIALS WHICH ARE CRACK RESISTANT AROUND THIS APPLIANCE. CRACKS CAN FORM DUE TO EXPANSION IN HOT AREAS AROUND THIS APPLIANCE.

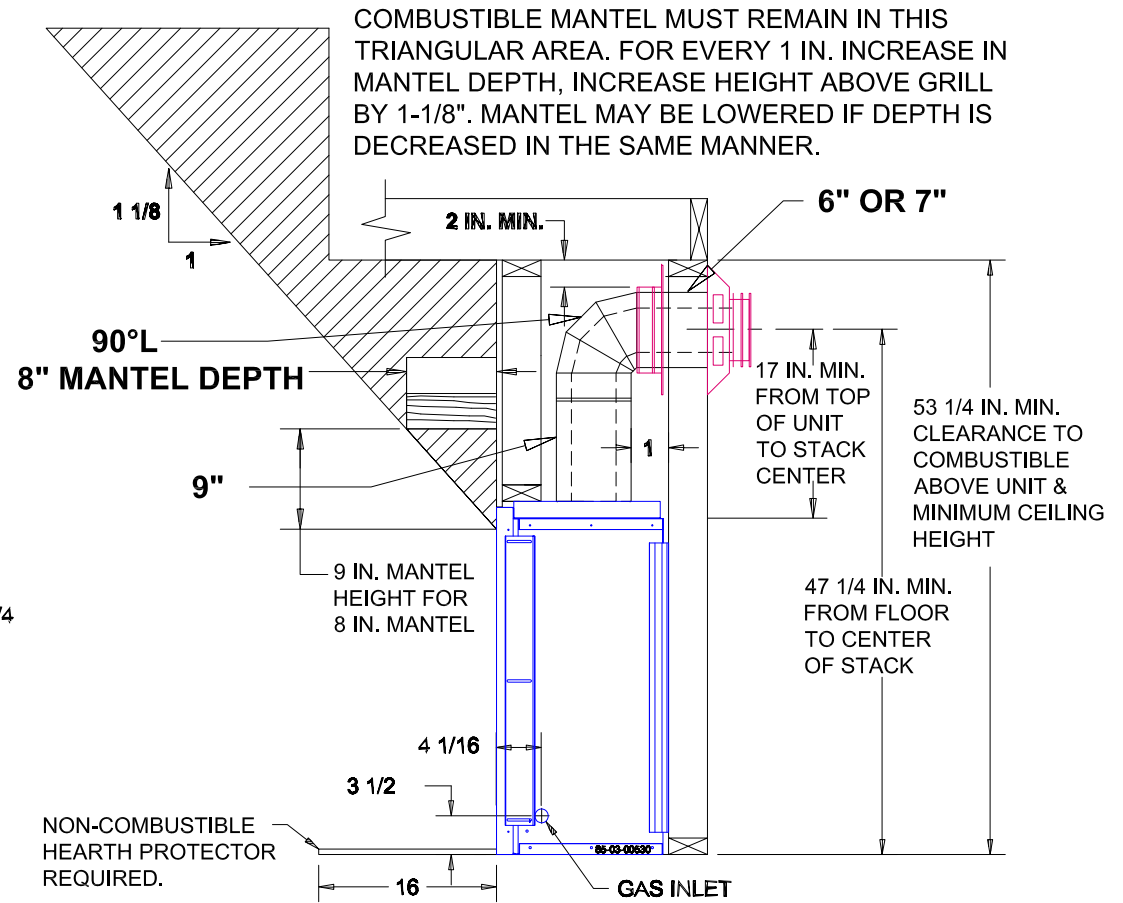
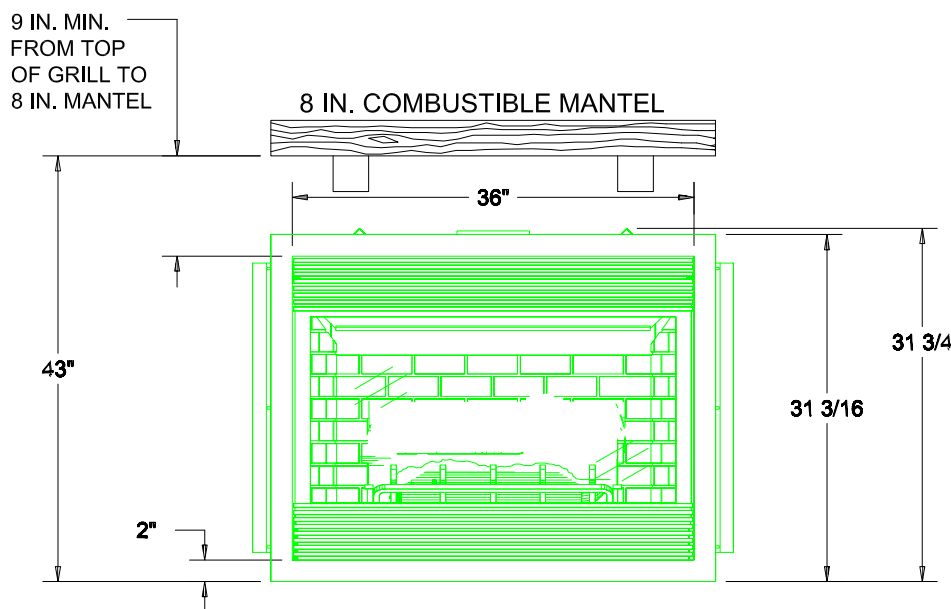
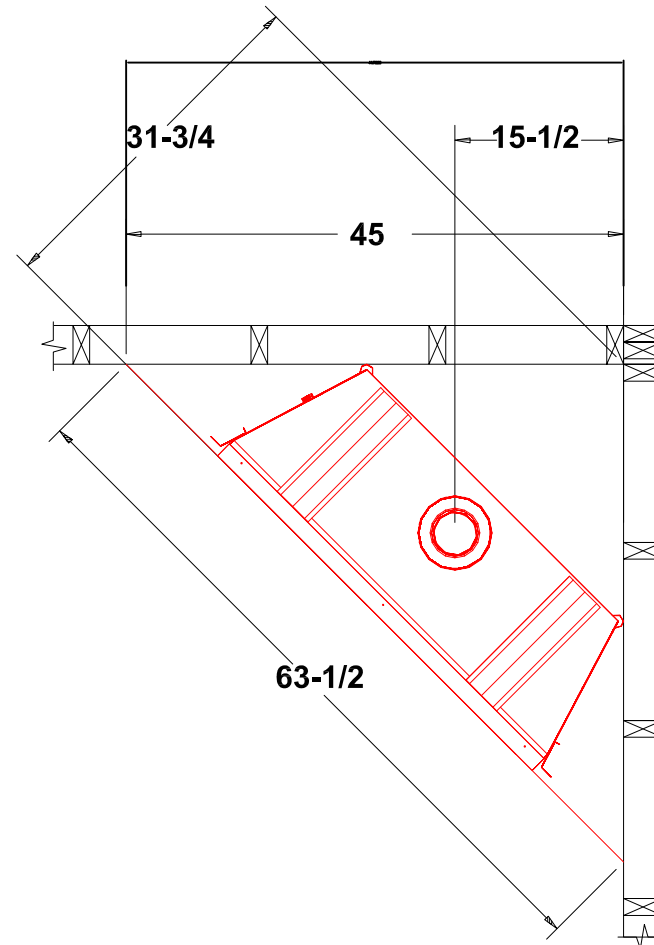
R-1 RATED HEARTH PAD REQUIRED. USE R-1 RATED BOARD AS BASE MATERIAL UNDER HEARTH PAD. FOR EACH 1" THIS UNIT RAISED OFF THE FLOOR, THE HEARTH PAD DEPTH MAY BE REDUCED BY 2". IF UNIT IS RAISED MORE THAN 6", A HEARTH PAD IS NOT REQUIRED.

# MENDOTA MODEL DXV-42 TOP VENT

USE ONLY DURAVENT 4"X6-5/8" COAXIAL PIPES AND VENTING COMPONENTS.



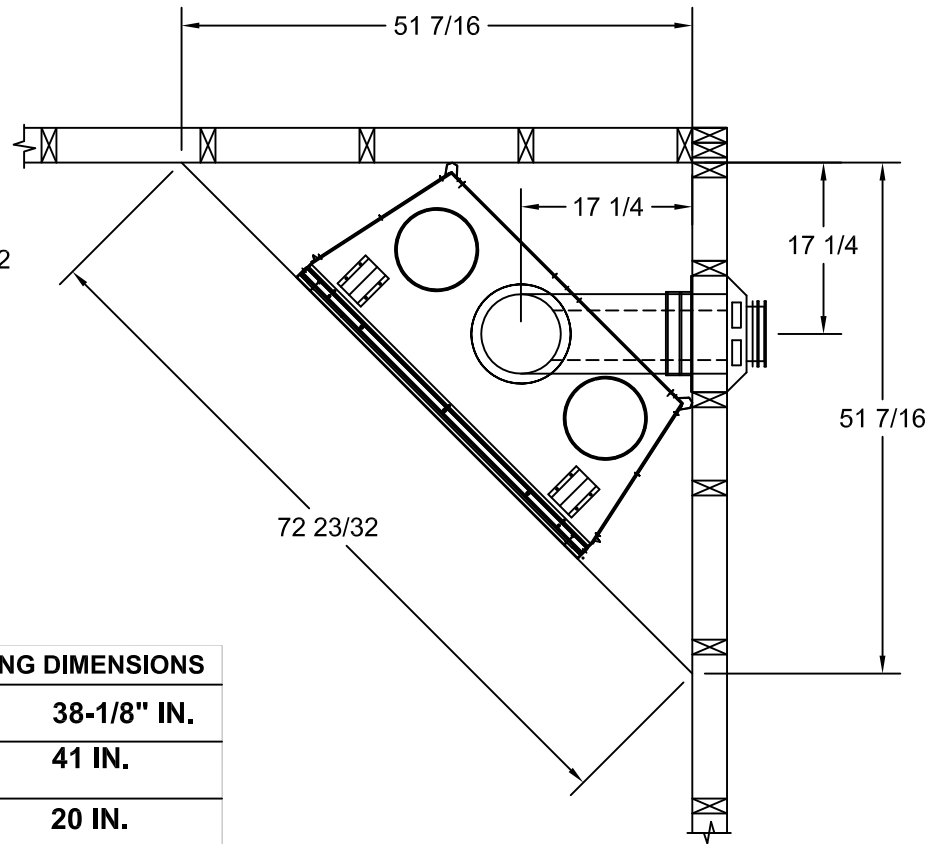
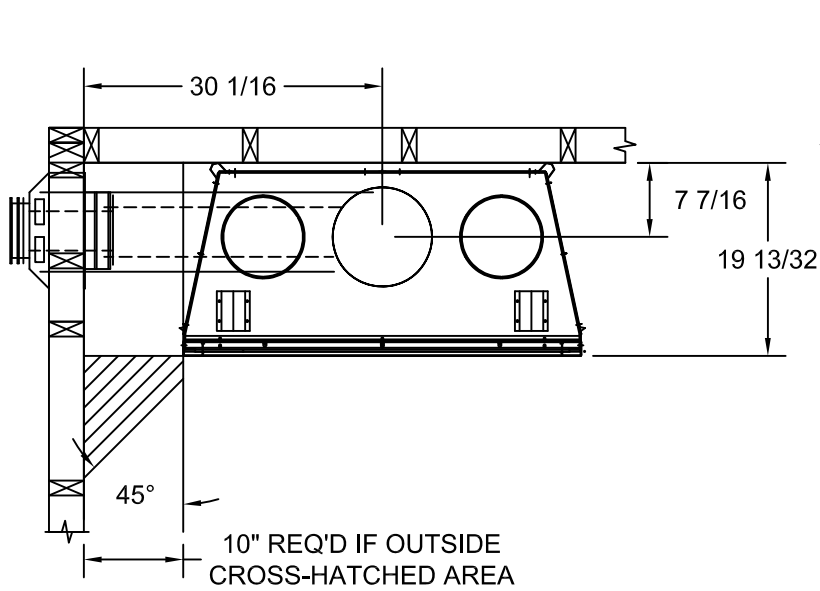
FRAMING DIMENSIONS	
HEIGHT	33 IN. (838 mm)
WIDTH	41 in. (1041 mm)
DEPTH	16 in. (406 mm)



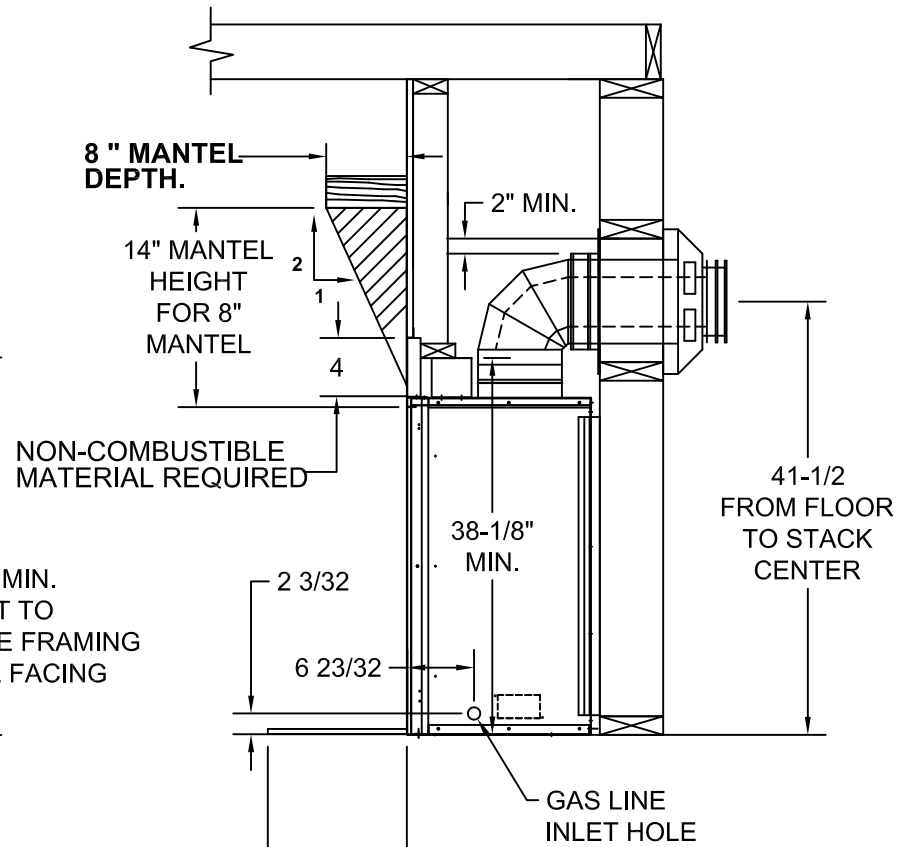
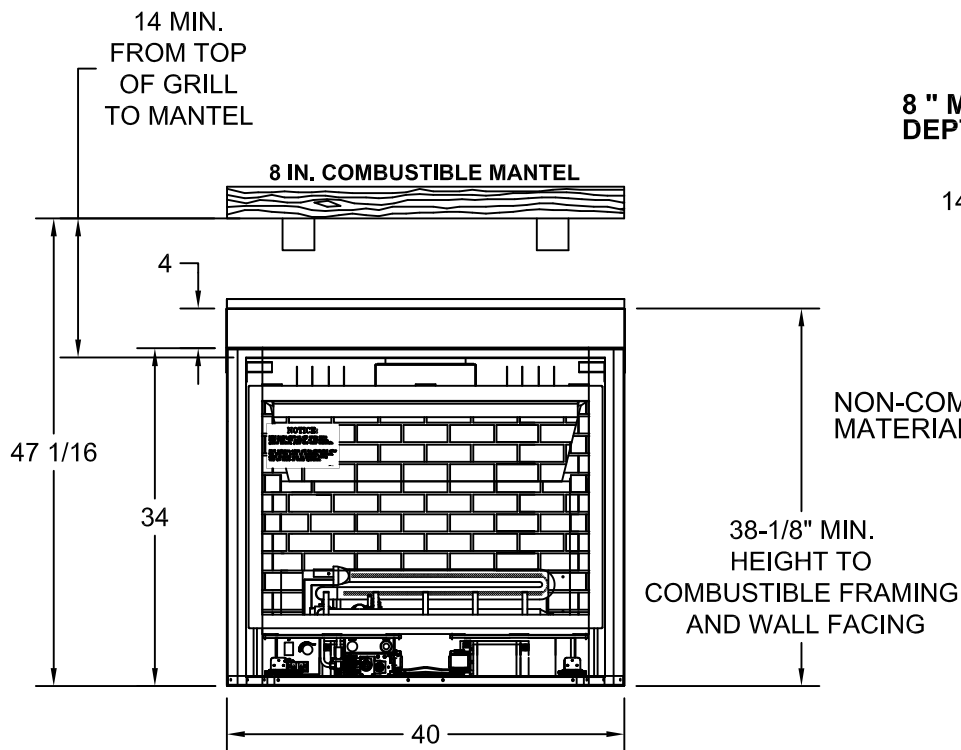
COMBUSTIBLE MANTEL MUST REMAIN IN THIS TRIANGULAR AREA. FOR EVERY 1 IN. INCREASE IN MANTEL DEPTH, INCREASE HEIGHT ABOVE GRILL BY 1-1/8". MANTEL MAY BE LOWERED IF DEPTH IS DECREASED IN THE SAME MANNER.

NON-COMBUSTIBLE HEARTH PROTECTOR REQUIRED.

MENDOTA MODEL DXV-45 TOP VENT  
 USE ONLY DURAVENT 5"X8" COAXIAL PIPES AND VENTING COMPONENTS.

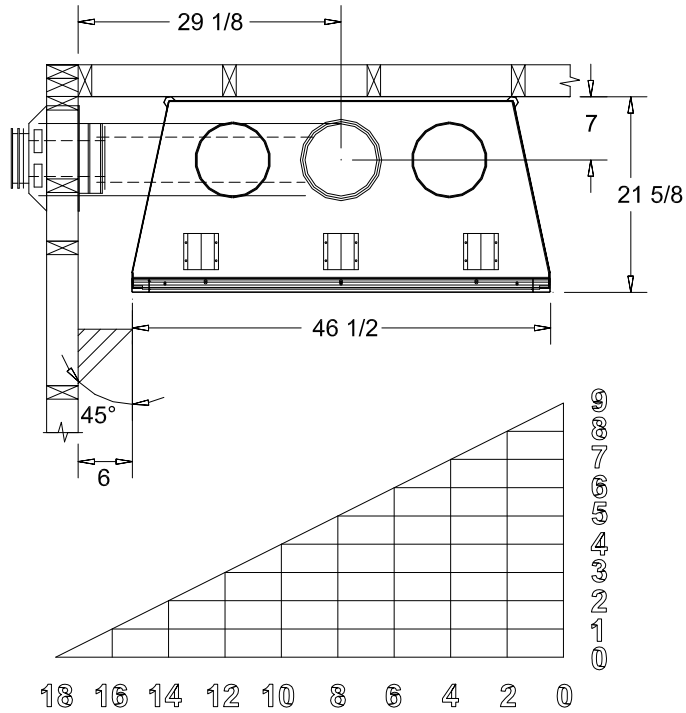


MINIMUM FRAMING DIMENSIONS	
HEIGHT	38-1/8" IN.
WIDTH	41 IN.
DEPTH	20 IN.

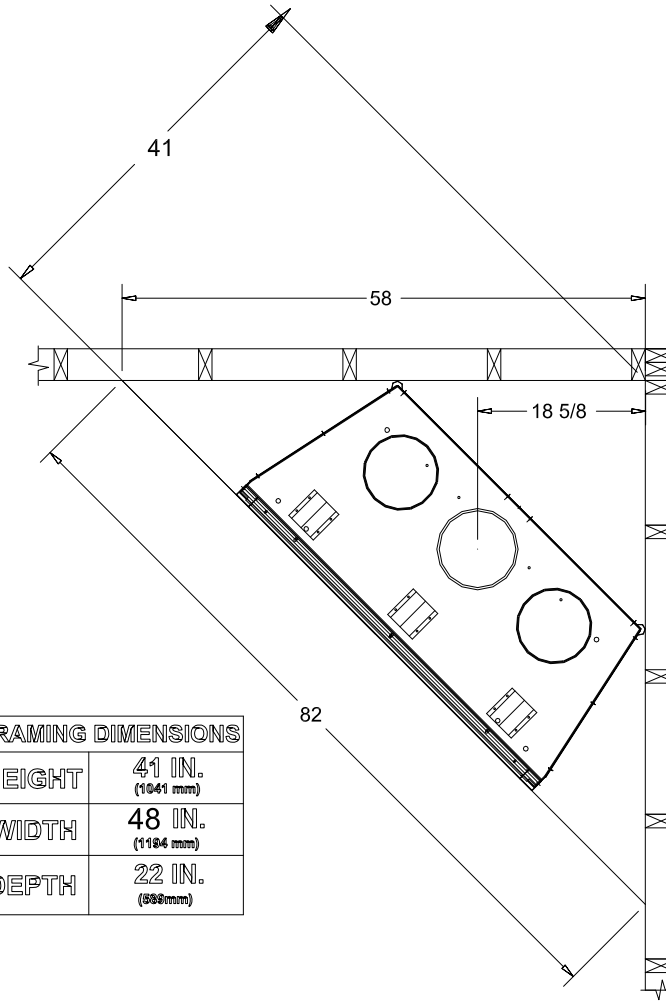


14" HEARTH PROTECTION  
 [NOT REQUIRED IF FIREPLACE IS ELEVATED MIN. 6"]  
 SEE PAGE 17 FOR HEARTH PROTECTION REQUIREMENT  
 WHEN INSTALLING ANDOVER OR PRAIRIE FRONTS.

**MENDOTA MODEL DXV-60 TOP VENT**  
**USE ONLY DURAVENT 5"X8" COAXIAL PIPES AND VENTING COMPONENTS.**

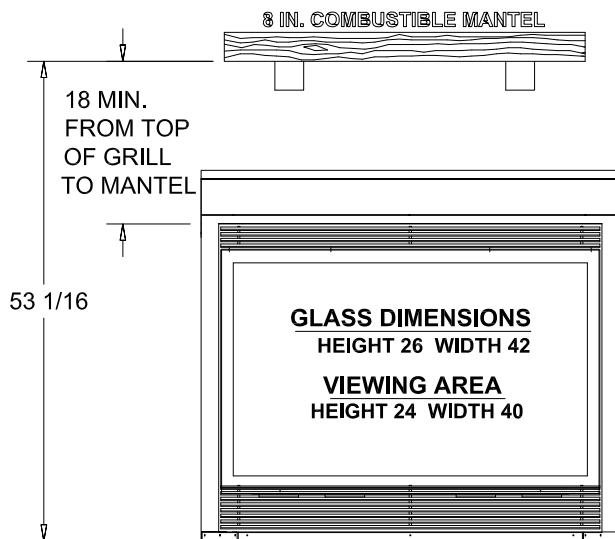


FRAMING DIMENSIONS	
HEIGHT	41 IN. (1041 mm)
WIDTH	48 IN. (1186 mm)
DEPTH	22 IN. (559 mm)



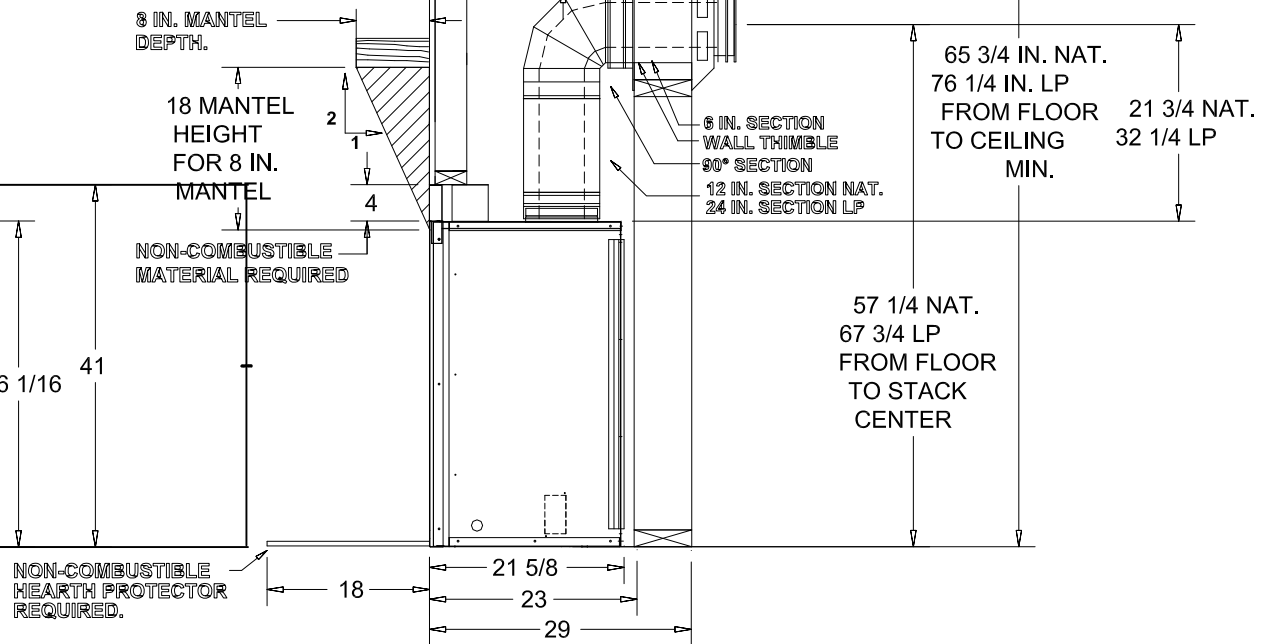
**HEARTH TABLE**

FOR EVERY 2 IN. THAT THE HEARTH IS REDUCED THE HEIGHT OF THE UNIT MUST BE RAISED BY 1 IN.



NOTE: HORIZONTAL SECTION MUST BE FLUSH WITH OUTSIDE WALL

**AA-11-00458**  
**HEAT SHIELD**  
**MUST BE INSTALLED IF**  
**COMBUSTIBLE WALL**  
**COVERING IS PRESENT.**



**MINIMUM HORIZONTAL VENTING**