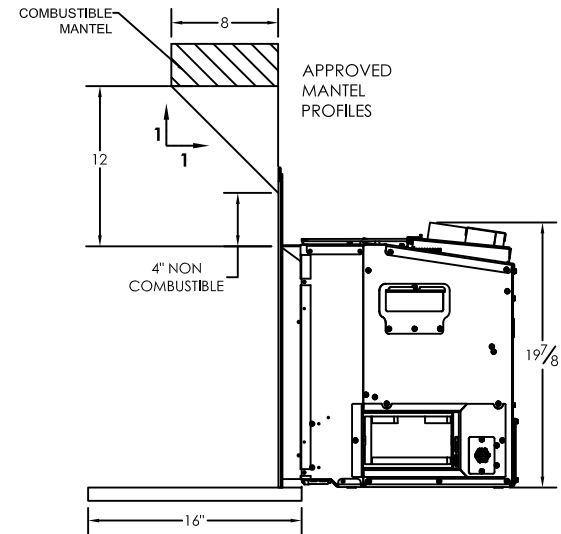
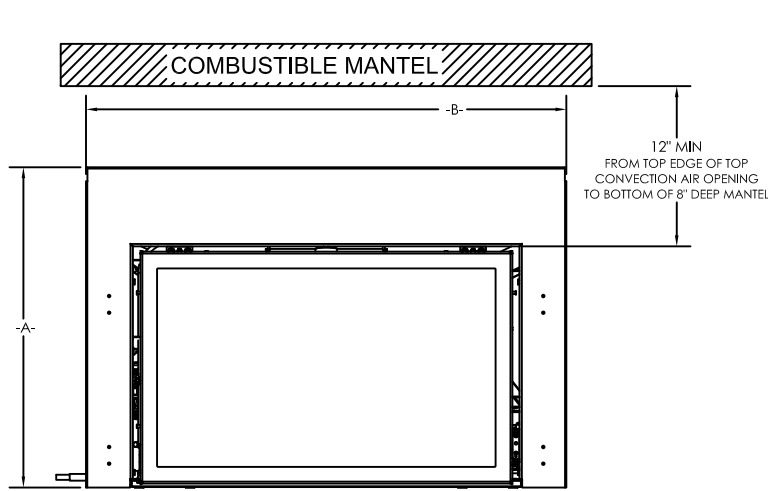
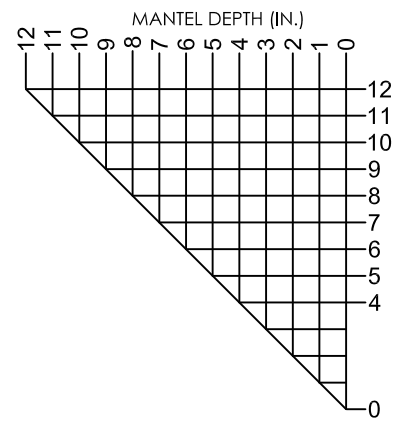
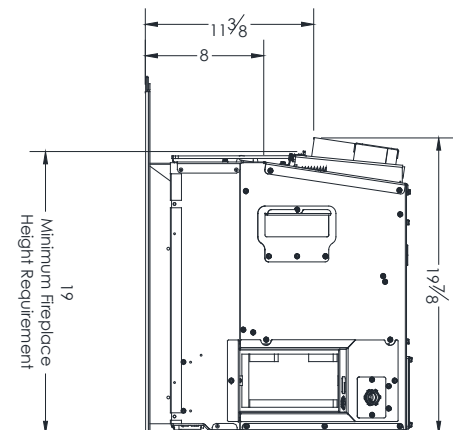
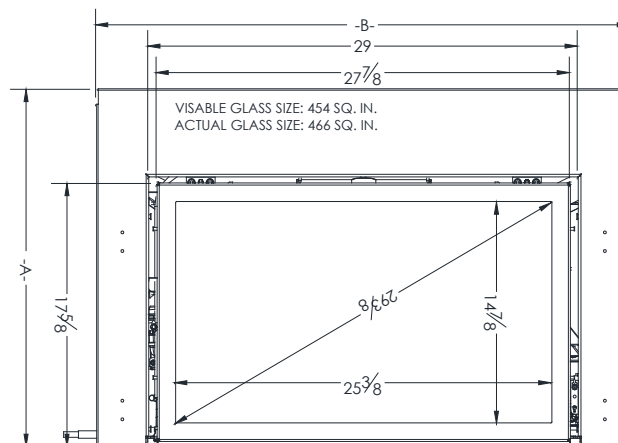
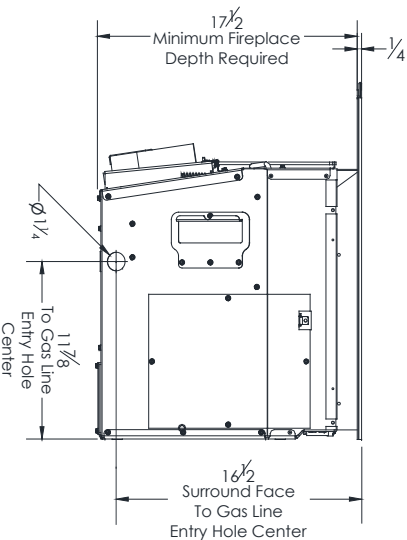
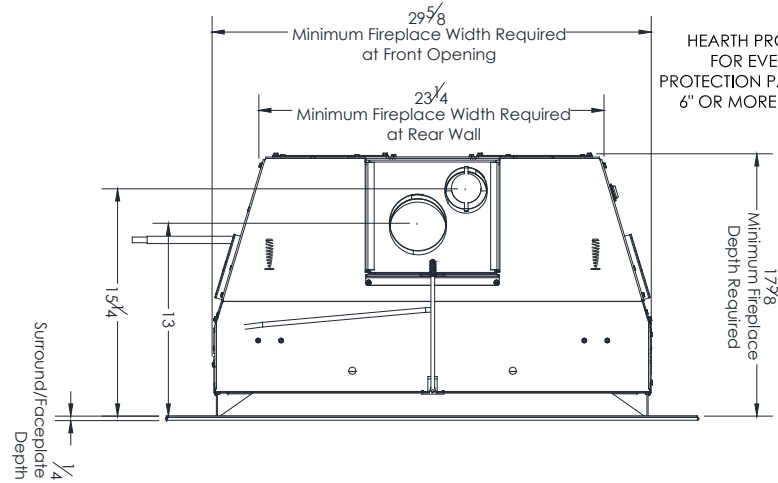


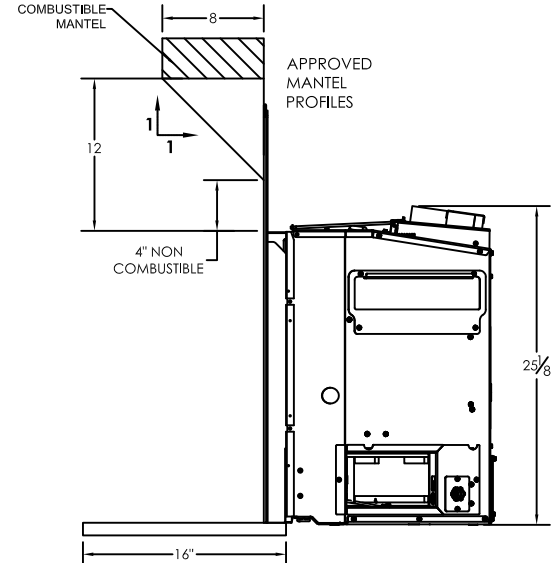
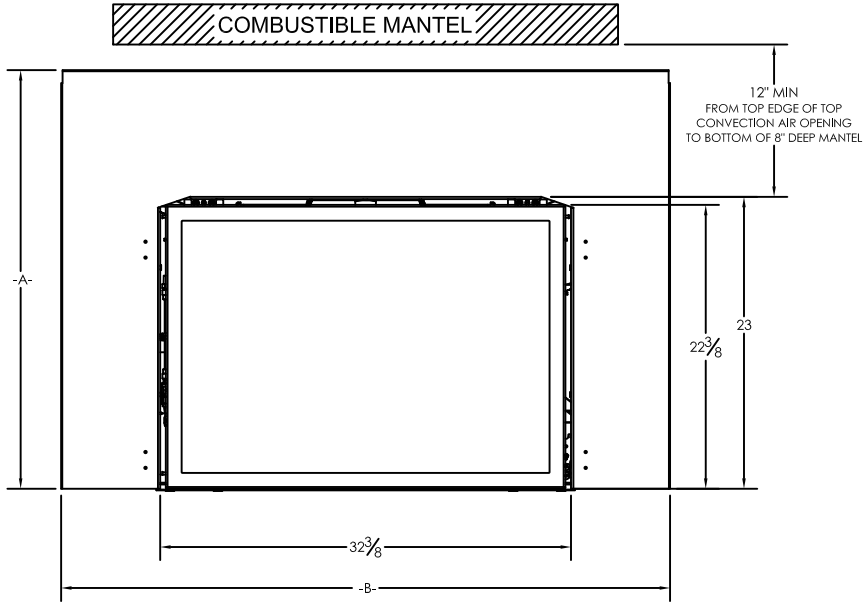
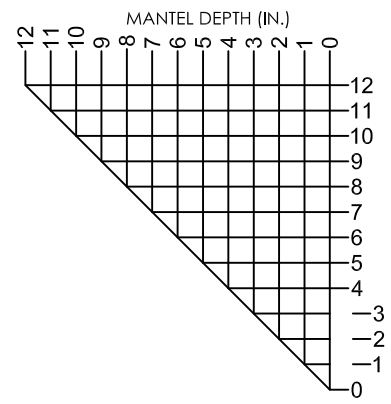
# MODEL FV33i



HEARTH PROTECTION PAD REQUIRED IF NOT ELEVATED.  
FOR EVERY 1-INCH THE UNIT IS ELEVATED, HEARTH PROTECTION PAD DEPTH MAY BE REDUCED BY 2". IF ELEVATED 6" OR MORE, NO HEARTH PROTECTION PAD IS REQUIRED.



# FV44i INSERT



HEARTH PROTECTION PAD REQUIRED IF NOT ELEVATED.  
FOR EVERY 1-INCH THE UNIT IS ELEVATED, HEARTH PROTECTION PAD DEPTH MAY BE REDUCED BY 2". IF ELEVATED 6" OR MORE, NO HEARTH PROTECTION PAD IS REQUIRED.

