

Arched Flush Wood Plus Requires 1-Piece Panel

If using an arched Flush Wood Plus, you will need to use the 1-Piece panel with this face (96100224 or 96100225). **3-Piece panels do not work with these faces.**

Installation Notes – Arched Flush Wood Plus

This face and panel set extend the insert into the fireplace an additional 1-1/4" (compared to the 3-piece panels). When using this face and panel set, make sure to accommodate the following:

- Allow an additional 1-1/4" inside the fireplace.
- The flue is located 1-1/4" to the rear.

Facing

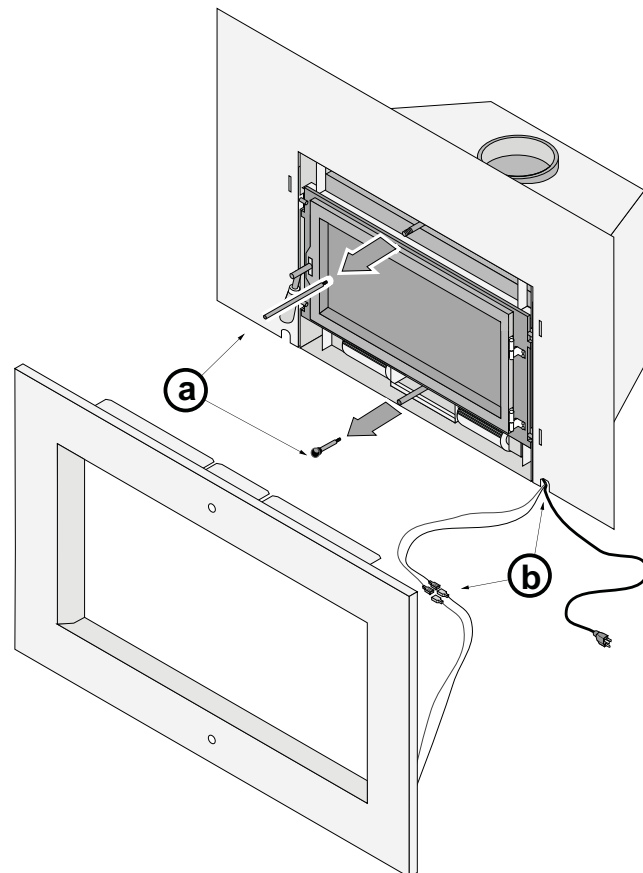
NOTE: Do not build facing (tile, brick) up to the faceplate. A gap is required to allow for air to circulate.

Packing List

- Face
- Extension Rod(s)
Arched & Artisan use 1, all else use 2.
- Bypass Rod Handle

Installation

1. Before installing the face, make sure the insert is in place, attached to the flue, and the surround panel is in place. Remove the bypass and air control rods (see "A" to the right).
2. Connect the rheostat wires and make sure the power cord is routed through the hole in the surround panel (see "B" to the right).





TRAVIS INDUSTRIES
HOUSE OF FIRE

Flush Wood Plus Face Installation Instructions

Rectangular Insert: Shadowbox Black 95600654, Shadowbox Bronze 95600657, Times Square 95600658

Arched Insert: Wilmington Black 95600193, Arched Black 95600648, Artisan Charcoal 95600649

3. Attach the face as shown below (see "A" below).
4. Attach the air control and extender as shown below. Attach the bypass ring to the bypass rod, then to the bypass extender, and install onto the bypass yoke.

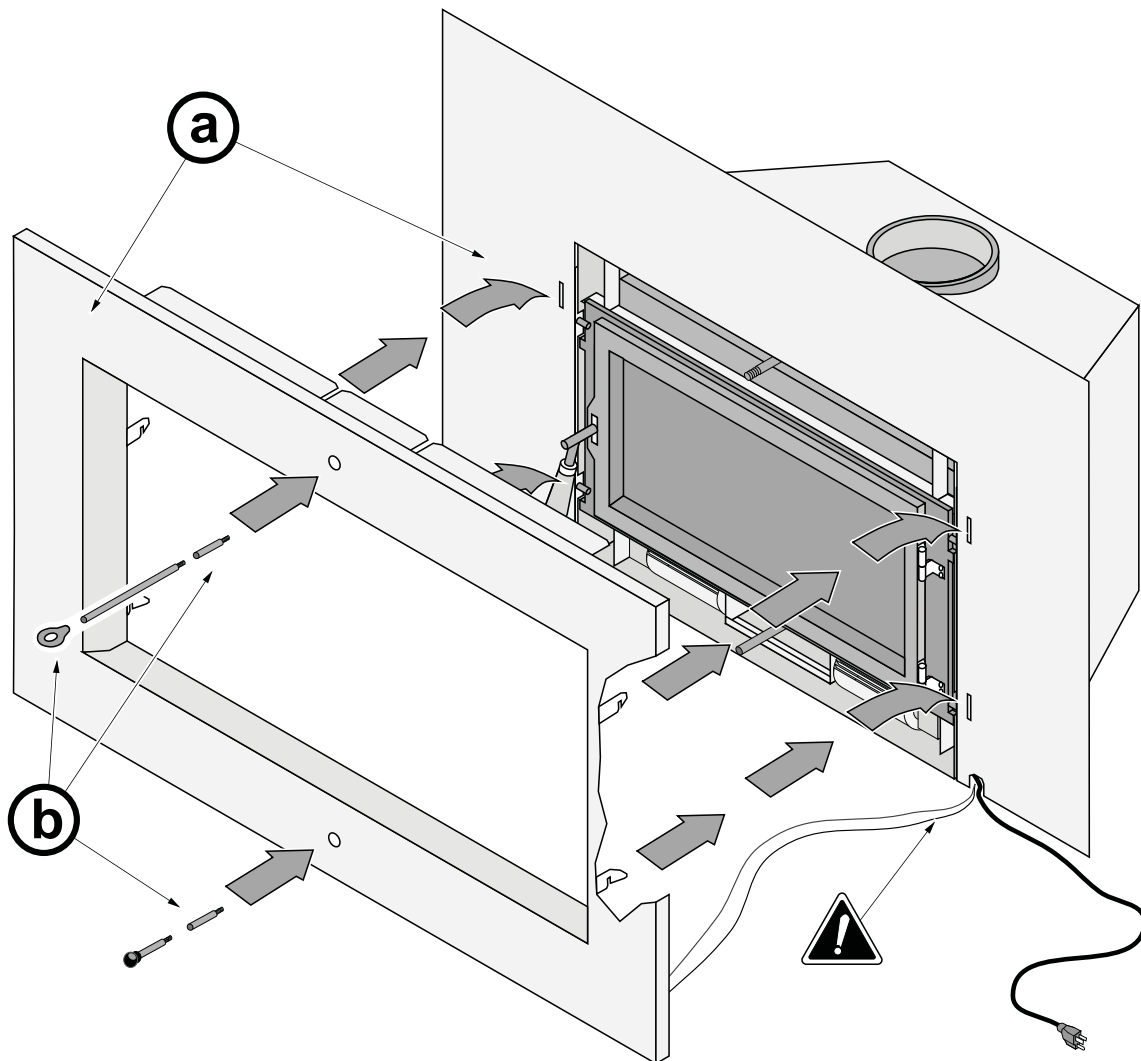
WARNING: Make sure all wiring is inserted into the cavity between the insert and the fireplace. Failure to do this may cause the wiring to become damaged.

WILMINGTON FACES

Make sure to **use the longer extension rod on the bypass** on Wilmington faces.

ARCHED AND ARTISAN FACES

Use the single extension rod on the air control.



HINT: While installing the bypass extension, reach into the firebox and hold the bypass plate and yoke. See the manual for a detailed view.