



Flush Wood Plus Face Installation

Metropolitan (95600656) – Universal (95600752)

Compatibility

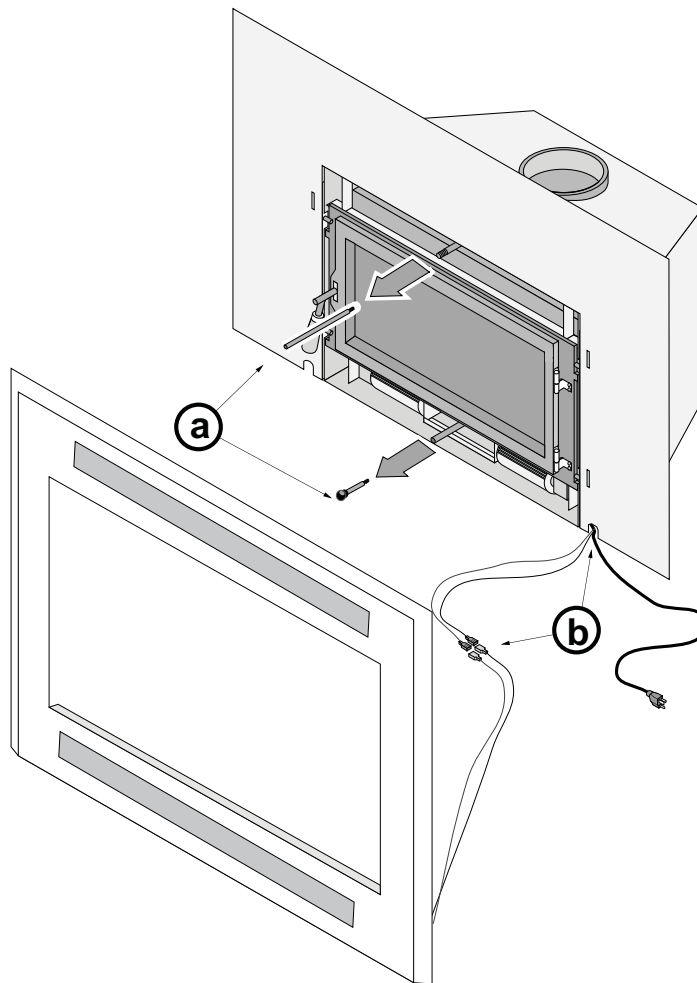
- Flush Wood Plus Insert Rectangle with 1-Piece Panel

Packing List

- Face
- Air Control Extension Rod
- Bypass Rod Handle

Installation

1. Before installing the face, make sure the insert is in place, attached to the flue, and the surround panel is in place. Remove the bypass and air control rods (see "A" below).
2. Connect the rheostat wires and make sure the power cord is routed through the hole in the surround panel (see "B" below).



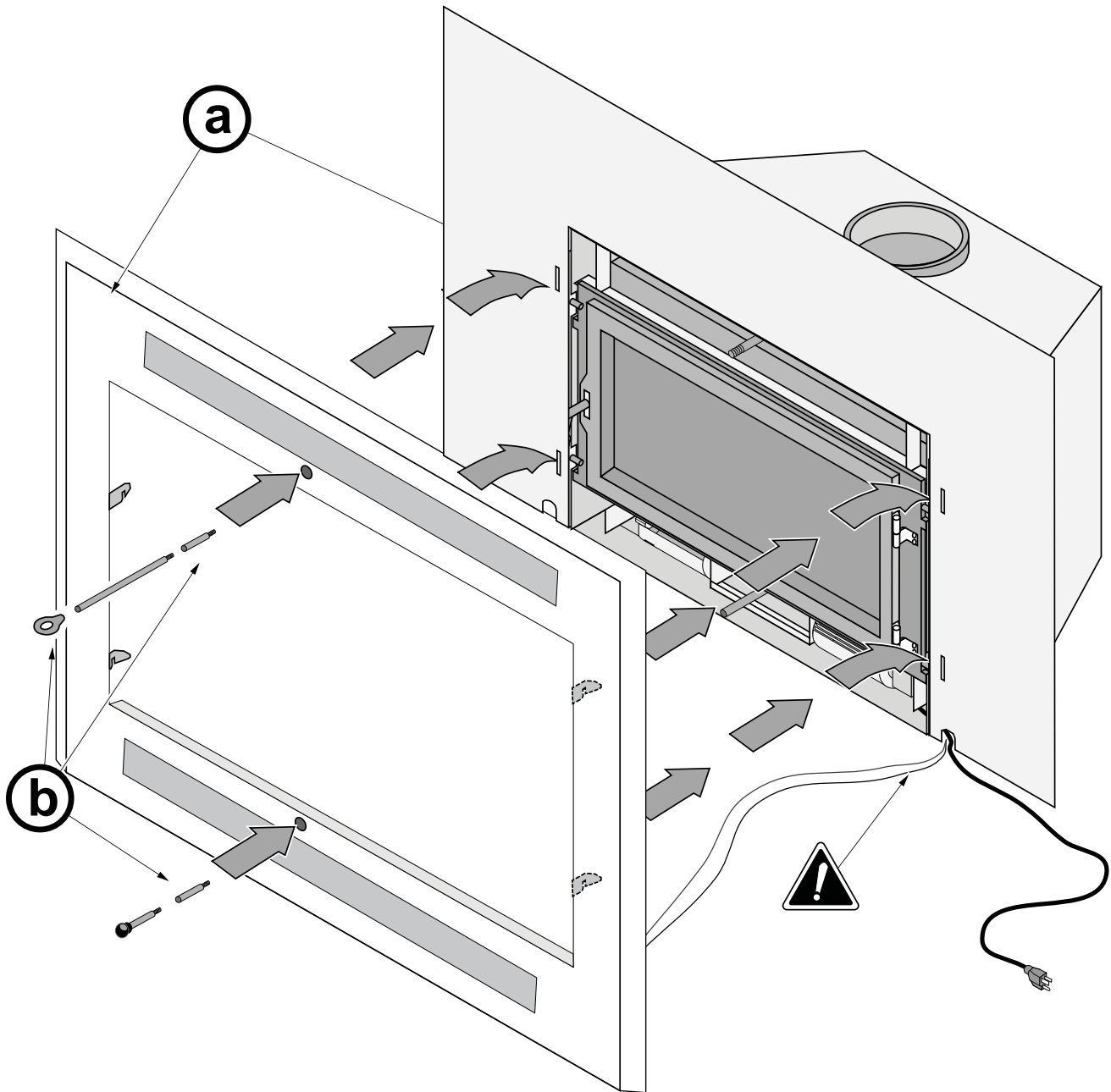


Flush Wood Plus Face Installation

Metropolitan (95600656) – Universal (95600752)

3. Attach the face as shown below (see "A" below).
4. Attach the air control and extension as shown below. Attach the bypass ring to the bypass rod, then to the bypass extension, and install onto the bypass yoke.

WARNING: Make sure all wiring is inserted into the cavity between the insert and the fireplace. Failure to do this may cause the wiring to become damaged.



HINT: While installing the bypass extension, reach into the firebox and hold the bypass plate and yoke. See the manual for a detailed view.